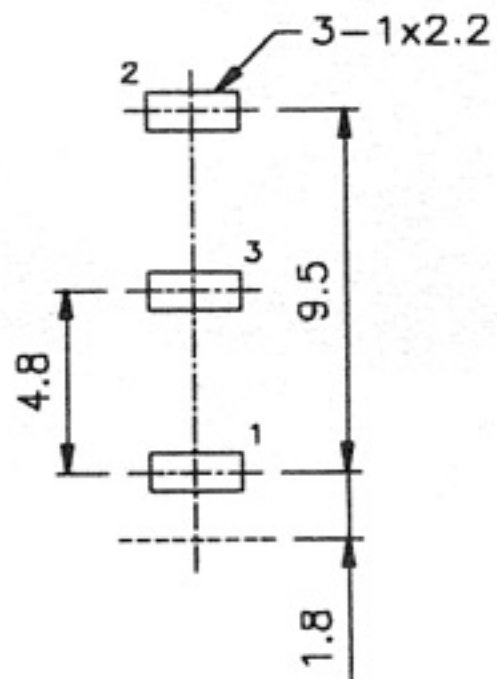
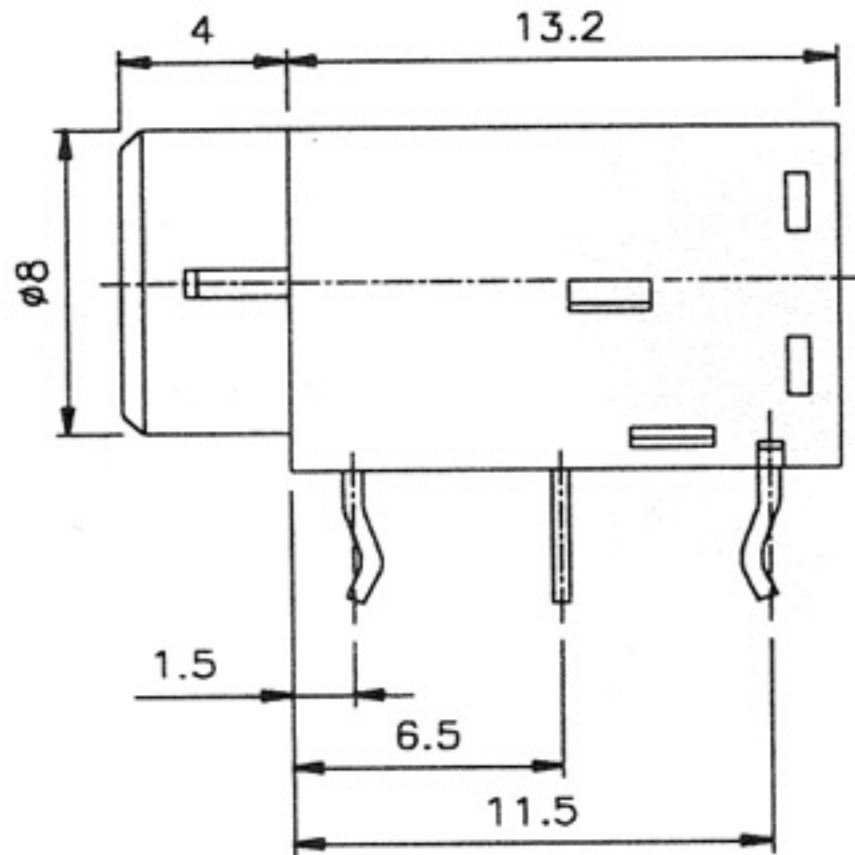


$\phi 3.5$ mm



P.C.B. LAYOUT
(BOTTOM VIEW)