

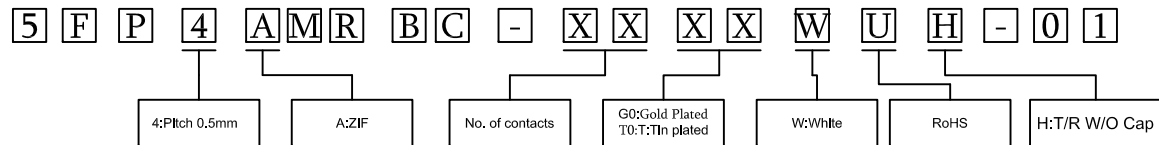
Specifications

Current Rate:0.4 AMP
 Voltage Rate:50V
 Insulation Resistance:50M Ω Min
 Contact Resistance:30m Ω Max
 Dielectric voltage:250V AC for one minute
 Operation Temperature:-55°C to +85°C

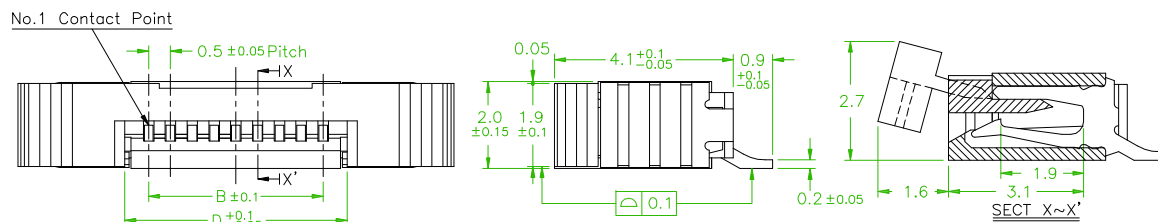
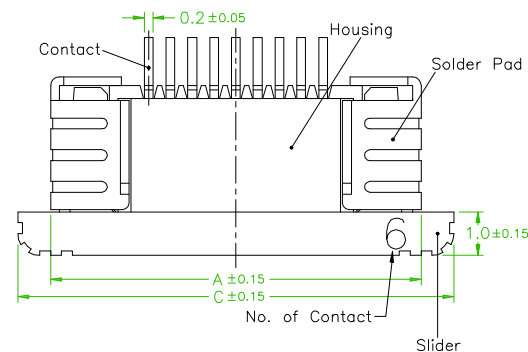
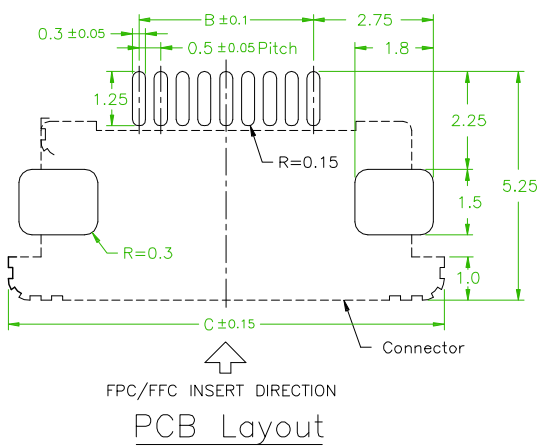
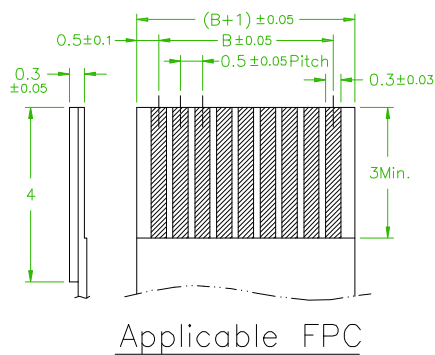
Material

Insulator:LCP,UL94V-0
 Contact Pin:Phosphor Bronze

ORDER INFORMATION



| NO.OF CONTAC | DIM.A | DIM.B | DIM.C | DIM.D |
|--------------|-------|-------|-------|-------|
| 04 | 6.0 | 1.5 | 7.5 | 2.6 |
| 05 | 6.5 | 2.0 | 8.0 | 3.1 |
| 06 | 7.0 | 2.5 | 8.5 | 3.6 |
| 07 | 7.5 | 3.0 | 9.0 | 4.1 |
| 08 | 8.0 | 3.5 | 9.5 | 4.6 |
| 09 | 8.5 | 4.0 | 10.0 | 5.1 |
| 10 | 9.0 | 4.5 | 10.5 | 5.6 |
| 11 | 9.5 | 5.0 | 11.0 | 6.1 |
| 12 | 10.0 | 5.5 | 11.5 | 6.6 |
| 13 | 10.5 | 6.0 | 12.0 | 7.1 |
| 14 | 11.0 | 6.5 | 12.5 | 7.6 |
| 15 | 11.5 | 7.0 | 13.0 | 8.1 |
| 16 | 12.0 | 7.5 | 13.5 | 8.6 |
| 17 | 12.5 | 8.0 | 14.0 | 9.1 |
| 18 | 13.0 | 8.5 | 14.5 | 9.6 |
| 19 | 13.5 | 9.0 | 15.0 | 10.1 |
| 20 | 14.0 | 9.5 | 15.5 | 10.6 |
| 21 | 14.5 | 10.0 | 16.0 | 11.1 |
| 22 | 15.0 | 10.5 | 16.5 | 11.6 |
| 23 | 15.5 | 11.0 | 17.0 | 12.1 |
| 24 | 16.0 | 11.5 | 17.5 | 12.6 |
| 25 | 16.5 | 12.0 | 18.0 | 13.1 |
| 26 | 17.0 | 12.5 | 18.5 | 13.6 |
| 27 | 17.5 | 13.0 | 19.0 | 14.1 |
| 28 | 18.0 | 13.5 | 19.5 | 14.6 |
| 29 | 18.5 | 14.0 | 20.0 | 15.1 |
| 30 | 19.0 | 14.5 | 20.5 | 15.6 |
| 31 | 19.5 | 15.0 | 21.0 | 16.1 |
| 32 | 20.0 | 15.5 | 21.5 | 16.6 |
| 33 | 20.5 | 16.0 | 22.0 | 17.1 |
| 34 | 21.0 | 16.5 | 22.5 | 17.6 |
| 35 | 21.5 | 17.0 | 23.0 | 18.1 |
| 36 | 22.0 | 17.5 | 23.5 | 18.6 |
| 37 | 22.5 | 18.0 | 24.0 | 19.1 |
| 38 | 23.0 | 18.5 | 24.5 | 19.6 |
| 39 | 23.5 | 19.0 | 25.0 | 20.1 |
| 40 | 24.0 | 19.5 | 25.5 | 20.6 |
| 41 | 24.5 | 20.0 | 26.0 | 21.1 |
| 42 | 25.0 | 20.5 | 26.5 | 21.6 |
| 43 | 25.5 | 21.0 | 27.0 | 22.1 |
| 44 | 26.0 | 21.5 | 27.5 | 22.6 |
| 45 | 26.5 | 22.0 | 28.0 | 23.1 |
| 46 | 27.0 | 22.5 | 28.5 | 23.6 |
| 47 | 27.5 | 23.0 | 29.0 | 24.1 |
| 48 | 28.0 | 23.5 | 29.5 | 24.6 |
| 49 | 28.5 | 24.0 | 30.0 | 25.1 |
| 50 | 29.0 | 24.5 | 30.5 | 25.6 |

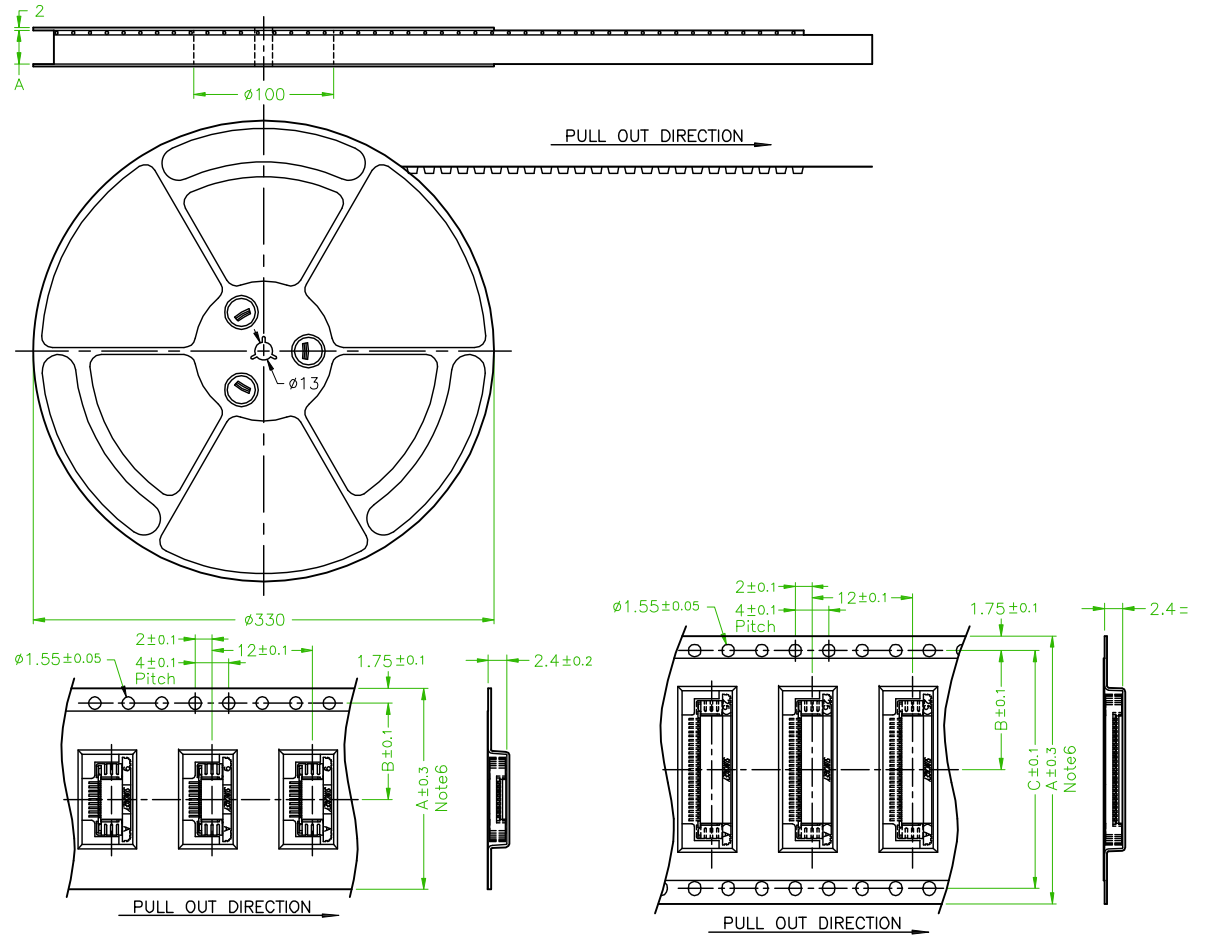


Old Part No. :FPC4AMR1-XX-B-U

| REV. | ECN NO. OR DESCRIPTION | REVISED | DATE |
|------|------------------------|---------|------|
| | | | |

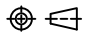
| | | | | | | |
|---|----------------------|--------------------------------|-------------|------|------------------------|---------------------|
| <p>糧德精密有限公司 Amtek Technology Co., Ltd. TEL: 886-2-2260-6878 FAX: 886-2-2260-8030</p> | 品名 TITLE | FPC/FFC 0.5mm Zif R/A SMT Type | | | 頁數 Page | 1/2 |
| | 品號 PART NO. | 5FP4AMRBC-XXXXWUH-01 | | | 繪圖 DRAWN | Roy 2016/07/19 |
| | 圖號 DRAWING NO. | GW030-EA128 | 版本 REV. | A | 核對 CHECKED | Boris 2016/07/19 |
| | 客戶品號 CUSTOMER P/N | | 比例 SCALE | None | 承認 APPROVED | Boris 2016/07/19 |
| | 公差 TOLERANCE | | 單位 UNIT | mm | THIRD ANGLE PROJECTION | |

| NO.OF CONTAC | DIM.A | DIM.B | DIM.C |
|-----------------|-------|-------|-------|
| 4-23 | 24 | 11.5 | ----- |
| 24-33 | 32 | 14.2 | 28.4 |
| 34-50 | 44 | 20.2 | 40.4 |



Old Part No. :FPC4AMR1-XX-B-U

| REV. | ECN NO. OR DESCRIPTION | REVISED | DATE |
|------|------------------------|---------|------|
| | | | |
| | | | |
| | | | |

| | | | | | | |
|--|----------------------|--------------------------------|-------------|------|------------------------------|---|
|  糧德精密有限公司 Amtek Technology Co., Ltd. TEL: 886-2-2260-6878 FAX: 886-2-2260-8030 | TITLE | FPC/FPC 0.5mm Zif R/A SMT Type | | | 頁數 Page | 2/2 |
| | 品號 PART NO. | 5FP4AMRBC-XXXXWUH-01 | | | 繪圖 DRAWN | Roy 2016/07/19 |
| | 圖號 DRAWING NO. | GW030-EA128 | 版本 REV. | A | 核對 CHECKED | Boris 2016/07/19 |
| | 客戶品號 CUSTOMER P/N | | 比例 SCALE | None | 承認 APPROVED | Boris 2016/07/19 |
| | 公差 TOLERANCE | | 單位 UNIT | mm | THIRD ANGLE PROJECTION |  |
| | | | | | | |