

SPECIFICATION

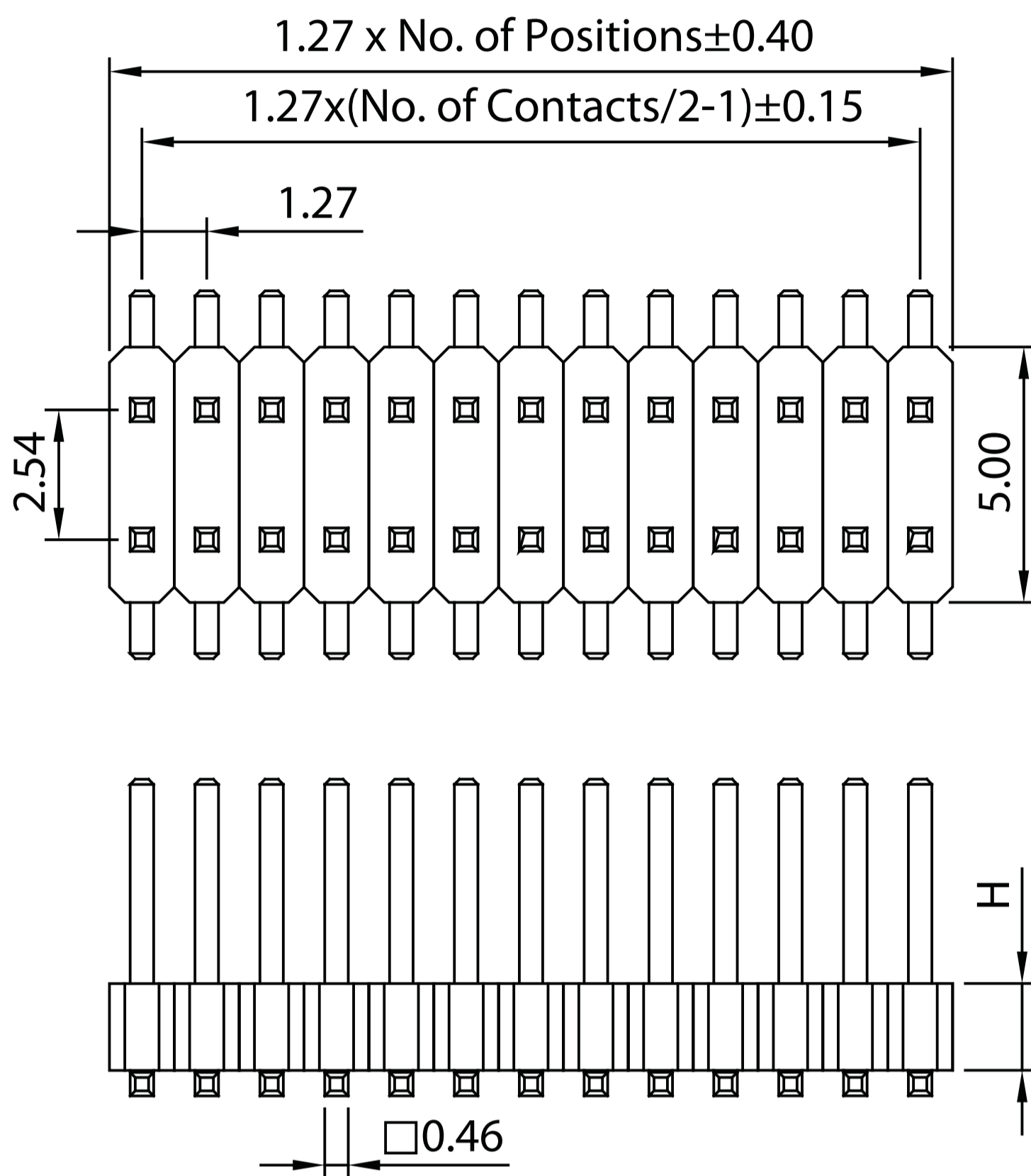
Current Rate:1 AMP
 Insulation Resistance:1000M Ω Min.
 Contact Resistance:20m Ω Max.
 Dielectric Voltage:500V AC for one minute
 Operation Temperature:-40°C to +105°C

MATERIAL

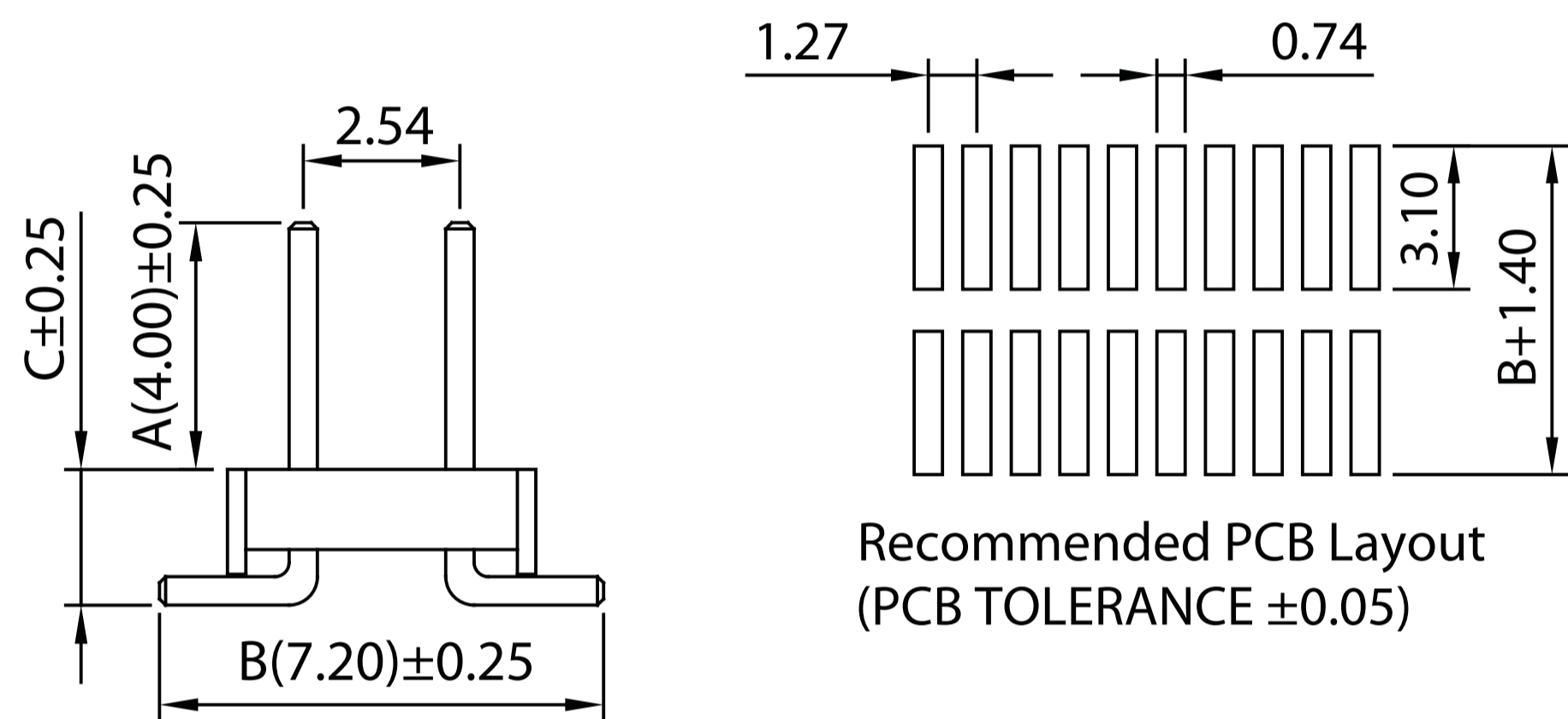
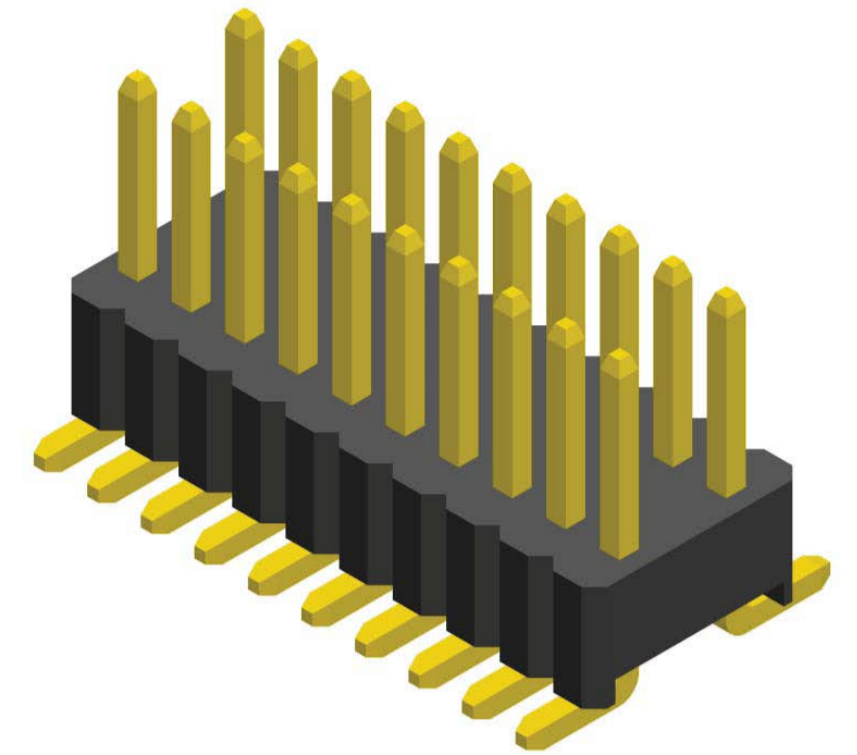
Insulator:Polyester,UL 94V-0
 Standard:Nylon 6T
 Contact Pin:Copper Alloy
 Contact Plating:Gold Flash all over

PLLD1.27-xSA

Pin Header 1.27mm SQ Pin=0.46mm H=1.7/2.5mm SMT Type

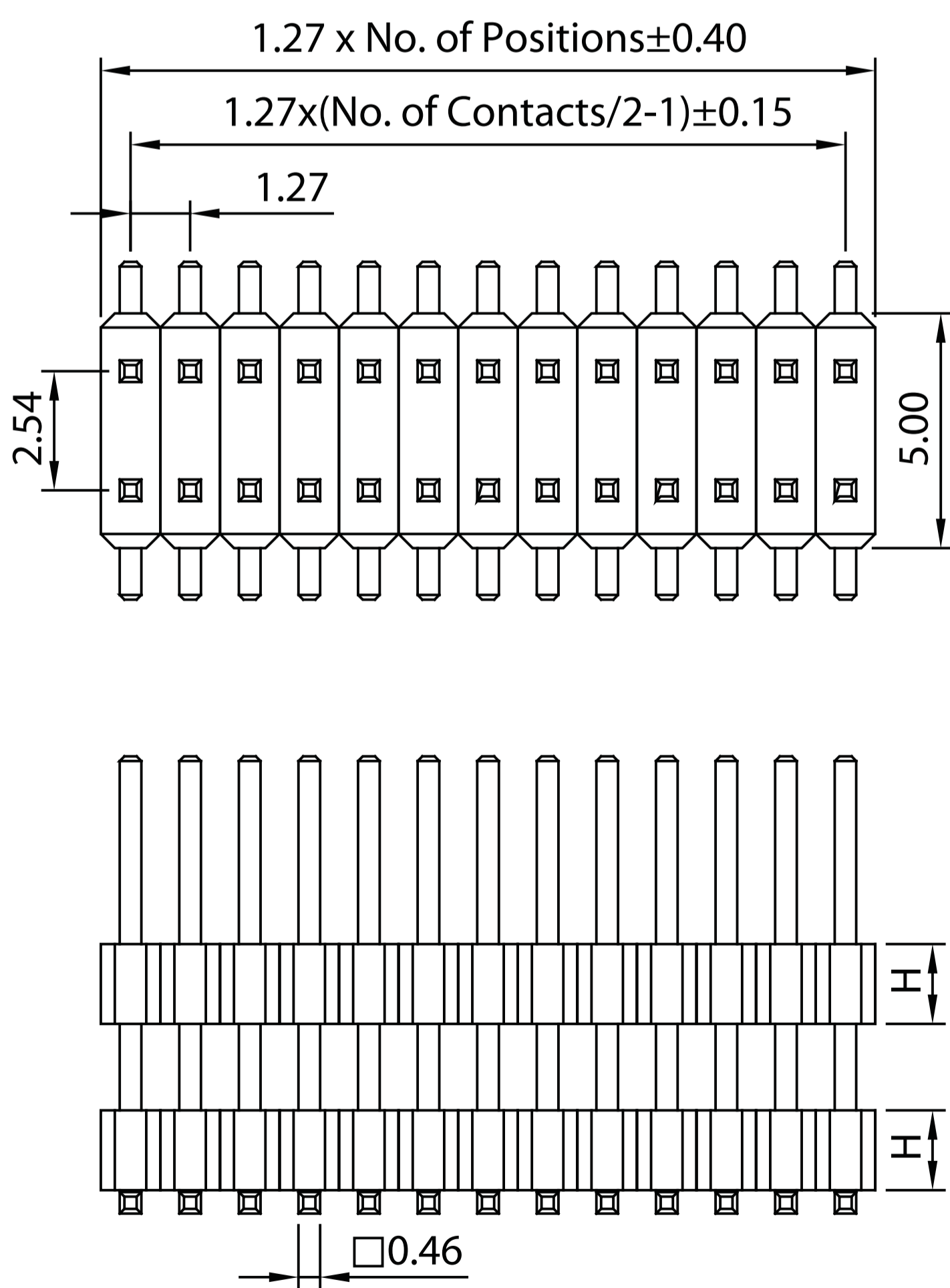


	Dim. C
H=1.7mm	2.20
H=2.5mm	3.00



PLLHD1.27-xSA

Pin Header 1.27mm SQ Pin=0.46mm H=1.7/2.5mm Stack SMT Type



	Dim. C
H=1.7mm	2.20
H=2.5mm	3.00

