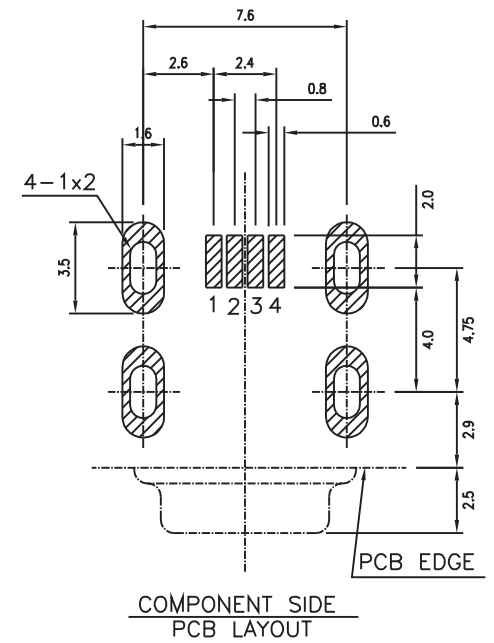
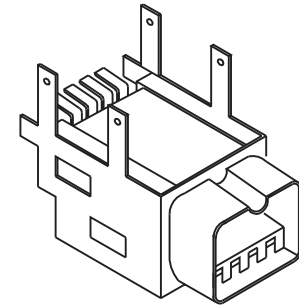
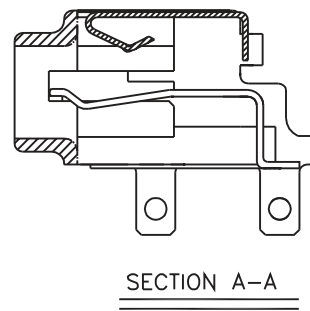
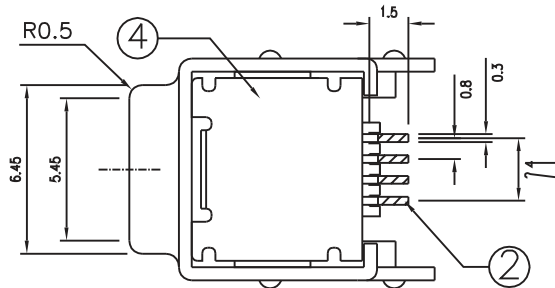
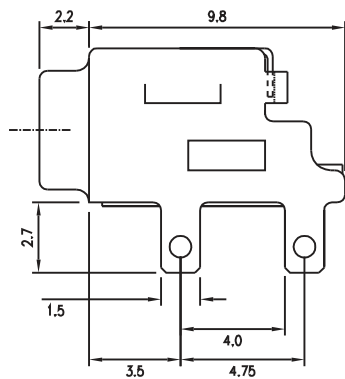
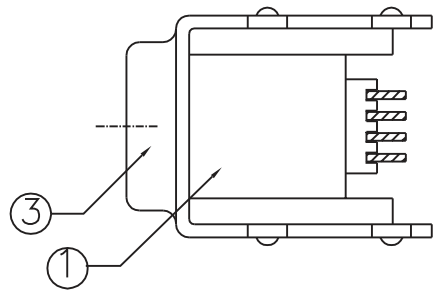
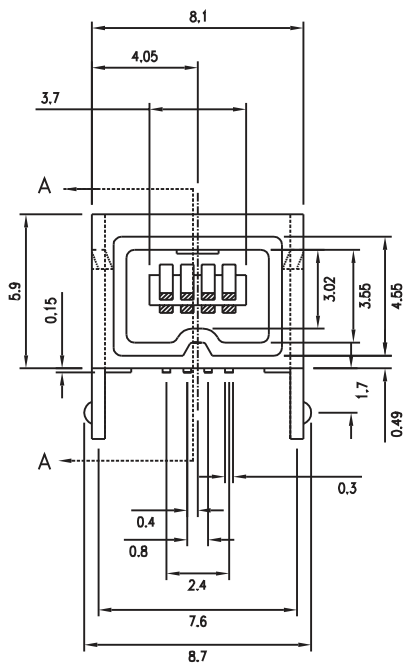


IEEE 1394 SERIES MINI SMT TYPE



Radiotech
<http://www.rct.ru>

NO.	NAME	MATERIAL	FINISH	REMARK	Q'TY
1	HOUSING	NYLON PA9T G.F	BLACK		1
2	PIN TERM.	PHOS. BRONZE t:0.25mm	GOLD-TIN PLATED	Ni:1~1.5u;TiN:3u. GOLD:30u"	4
3	FRONT SHELL	STEEL t:0.5mm	NICKEL PLATED	Ni:2~3u	1
4	REAR SHELL	BRASS t:0.2mm	NICKEL PLATED	Ni:2~3u	1