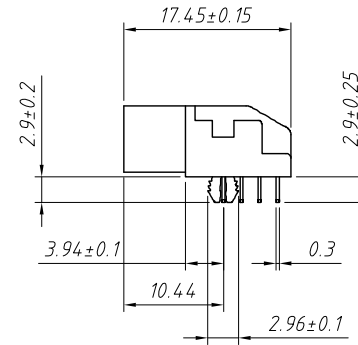
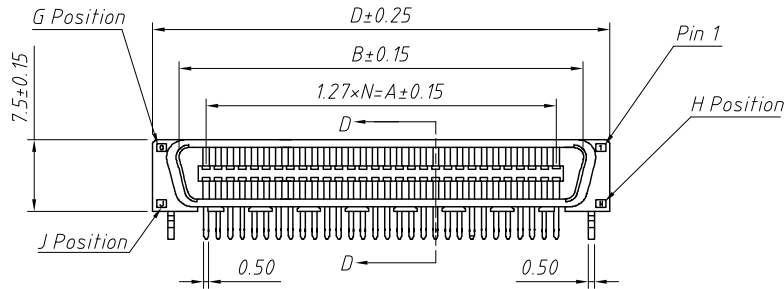


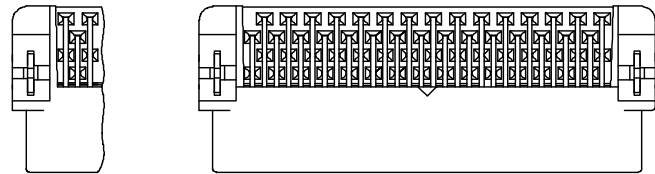
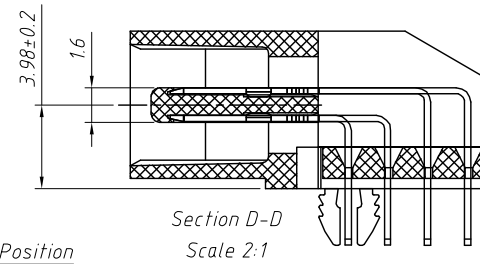
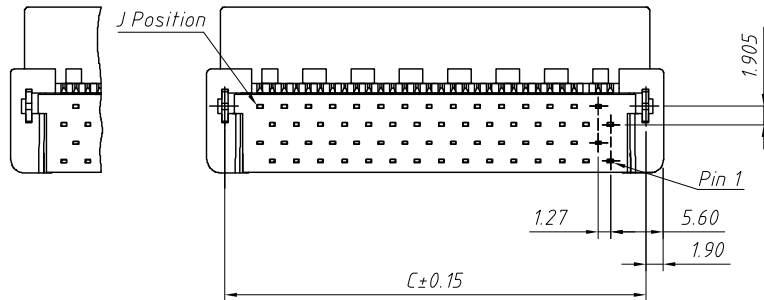
1 RoHS Compliance



- Electrical:**
- 1.Voltage Rating:250VAC
 - 2.Current Rating: 1.0A
 - 3.Contact Resistance:35mΩ Max.
 - 4.Insulation Resistance:500MΩ Min.@500VDC
 - 5.Withstanding Resistance:500VAC RMS.

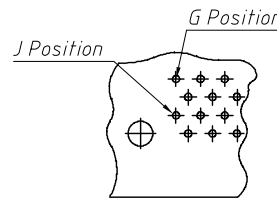
- Materials:**
- 1.Housing:LCP Polyester,UL 94V-0
 - 2.Contact:Phosphor Bronze
 - 3.Plating:Gold Plating over nickel in contact, Tin Plating over nickel in solder area
 - 4.Boardlocks:Brass,Tin-Cu Over

- Environmental:**
1. OPERATION: -40°C~105°C
 - 2.Max.Processing Temp:230 for 30-60 seconds (260°C for 10 seconds)

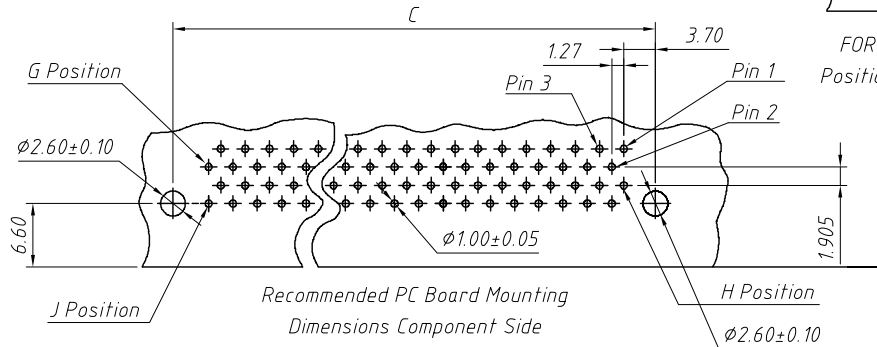


FOR 30 50 Positions only

FOR 20 40 60 68 80 100 120 Positions only



FOR 30 50 Positions only



FOR 20 40 60 68 80 100 120 Positions only

No. of Pin	DIMENSIONS						
	A	B	C	D	G	J	H
20	11.43	17.51	18.83	22.60	10	20	11
30	17.78	23.86	25.18	28.95	15	30	16
40	24.13	30.21	31.53	35.30	20	40	21
50	30.48	36.56	37.88	41.65	25	50	26
60	36.83	42.91	44.23	48.00	30	60	31
68	41.91	47.99	49.31	53.05	34	68	35
80	49.53	55.61	56.93	60.70	40	80	41
100	62.23	68.31	69.63	73.40	50	100	41
120	74.93	81.01	82.33	86.10	60	120	61

ANGLE TOLERANCE	PROJECTION	Description:
±3°		SCSI Connector CN Type Plastic R/A Right Male PCB Mount

GENERAL TOLERANCE	UNITS	mm	KLS P/N:
x.x ±0.30	SHEET SIZE	A4	L-KLS1-SCSI-10
x.xx ±0.20	Draw:	Daniel	2021-10-11
x.xxx ±0.10	Check:	Daniel	2021-10-11

Order Information:

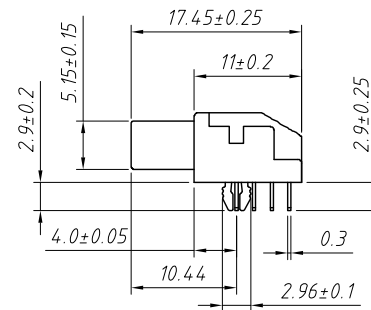
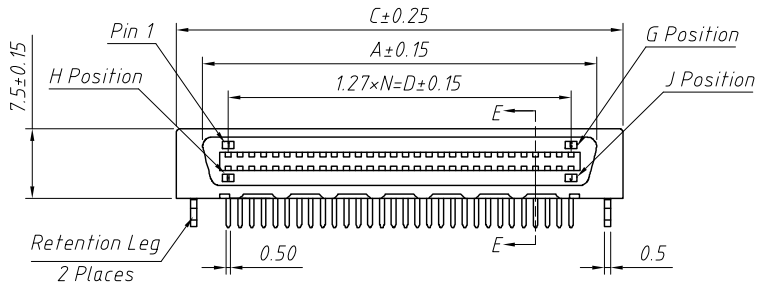
L-KLS1-SCSI-10-40 M L S

- L: RoHS
- SCSI Connector
- Serial Number
- No. of 20~120 Pins
- Type: M-Male
- Lock Option:
- L: With Fork Lock
- N: Without Fork Lock
- Plating:
- S: Half Gold Tin 3u" G: All Gold 3u"



NingBo KLS ELECTRONIC CO.,LTD.

1 RoHS Compliance



Electrical:

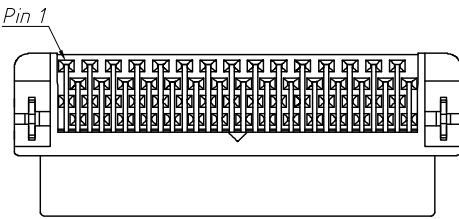
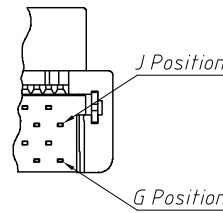
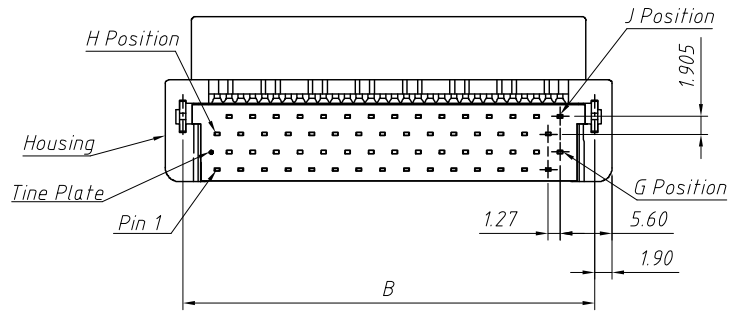
- 1.Voltage Rating:250VAC
- 2.Current Rating: 1.0A
- 3.Contact Resistance:35mΩ Max.
- 4.Insulation Resistance:500MΩ Min.@500VDC
- 5.Withstanding Resistance:500VAC RMS.

Materials:

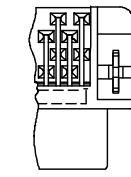
- 1.Housing:LCP Polyester,UL 94V-0
- 2.Contact:Phosphor Bronze
- 3.Plating:Gold Plating over nickel in contact, Tin Plating over nickel in solder area
- 4.Boardlocks:Brass,Tin-Cu Over

Environmental:

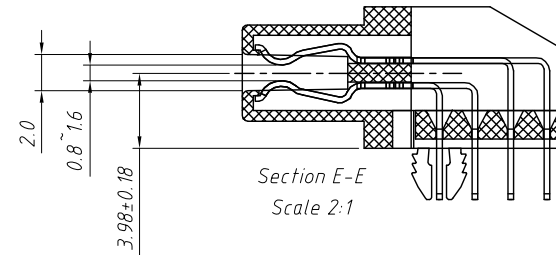
1. OPERATION: -40°C~105°C
- 2.Max.Processing Temp:230 for 30-60 seconds (260°C for 10 seconds)



FOR 20 40 60 68 80 100 120 Positions only



FOR 30 50 Positions only



No. of Pin	DIMENSIONS						
	A	B	C	D	G	J	H
20	16.97	18.83	22.63	11.43	10	20	11
30	23.32	25.18	28.98	17.78	15	30	16
40	29.67	31.53	35.33	24.13	20	40	21
50	36.02	37.88	41.68	30.48	25	50	26
60	42.37	44.23	48.03	36.83	30	60	31
68	47.45	49.31	53.11	41.91	34	68	35
80	55.07	56.93	60.73	49.53	40	80	41
100	67.77	69.63	73.43	62.23	50	100	41
120	80.47	82.33	86.13	74.93	60	120	61

Order Information:

L-KLS1-SCSI-10-40 F L S

- L: RoHS
- SCSI Connector
- Serial Number
- No. of 20~120 Pins
- Type:F-Female
- Lock Option:
- L:With Fork Lock
- N:Without Fork Lock
- Plating:
- S:Half Gold Tin 3u" G:All Gold 3u"

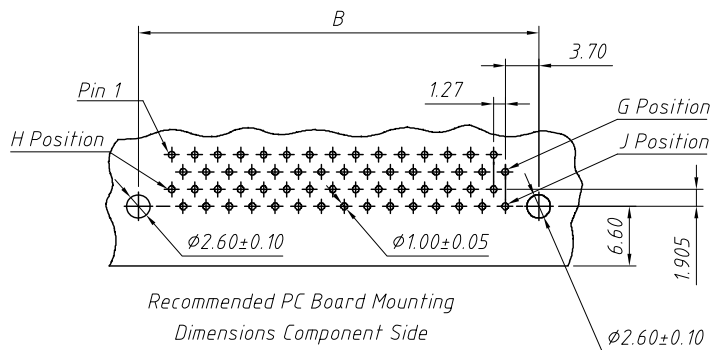
ANGLE TOLERANCE	PROJECTION	Description:	
±3°			
GENERAL TOLERANCE	UNITS	mm	KLS P/N:
x.x ±0.30	SHEET SIZE	A4	
x.xx ±0.20	Draw:	Daniel	2021-10-11
x.xxx ±0.10	Check:	Daniel	2021-10-11

SCSI Connector CN Type Plastic
R/A Right Female PCB Mount

L-KLS1-SCSI-10

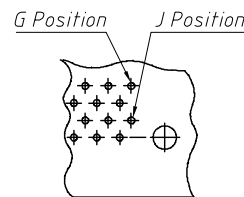


NingBo KLS ELECTRONIC CO.,LTD.



Recommended PC Board Mounting
Dimensions Component Side

FOR 20 40 60 68 80 100 120 Positions only



FOR 30 50 Positions only