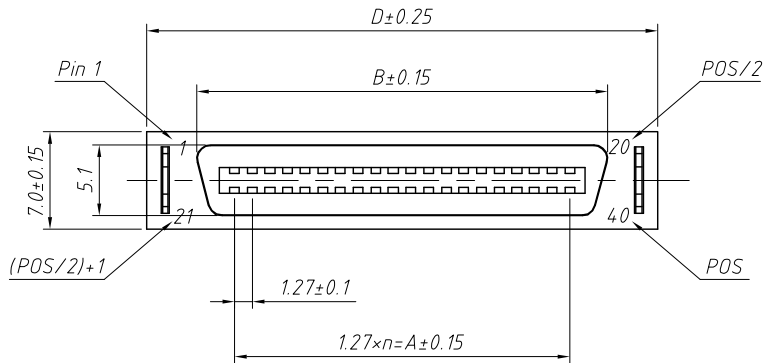
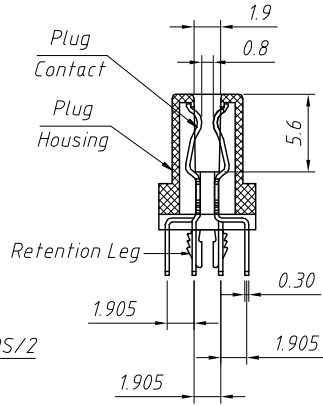
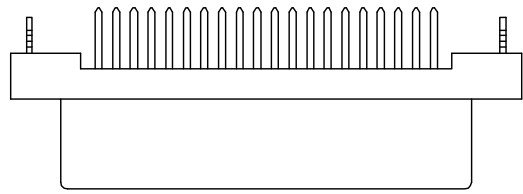


1 RoHS Compliance



No. of Pin	DIMENSIONS				
	A	B	C	D	n
20	11.43	16.80	21.40	24.00	9
30	17.78	23.15	27.75	30.35	14
40	24.13	29.50	34.10	36.70	19
50	30.48	35.85	40.45	43.10	24
60	36.83	42.20	46.80	49.45	29
68	41.91	47.28	51.88	54.53	33
80	49.53	54.90	59.50	62.13	39
100	62.23	67.60	72.20	74.85	49
120	74.93	80.30	84.90	87.55	59

Electrical:

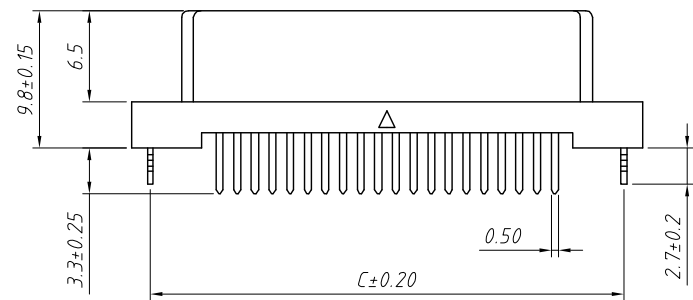
1. Current Rating: 1.0A
2. Contact Resistance: 35mΩ Max.
3. Insulation Resistance: 500MΩ Min
4. Withstanding Resistance: 500VAC RMS.

Materials:

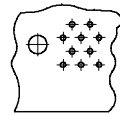
1. Insulator: LCP Polyester, UL 94V-0
2. Contact: Phosphor Bronze
3. Plating: Au or Sn Over Ni
4. Standard: LCP

Environmental:

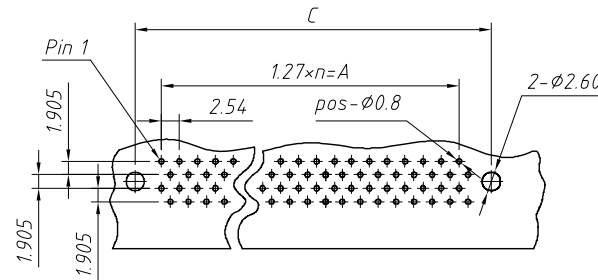
1. OPERATION: -40°C ~ 105°C
2. Max. Processing Temp: 230 for 30-60 seconds (260°C for 10 seconds)



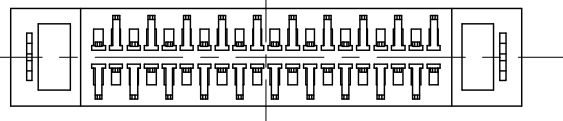
Recommended PC Board Mounting Dimensions Component Side



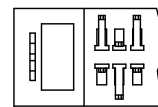
FOR 30 50 Positions only



FOR 20 40 60 68 80 100 120 Positions only



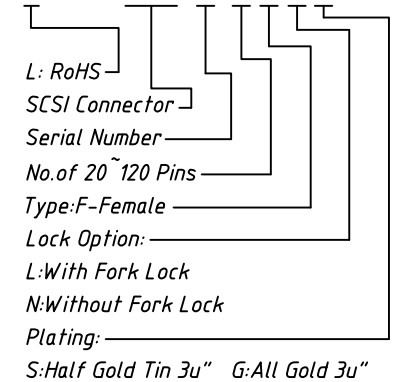
FOR 20 40 60 68 80 100 120 Pos



FOR 30 50 Pos

Order Information:

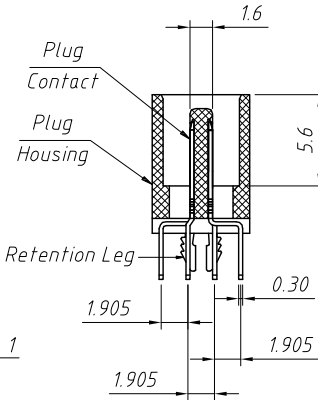
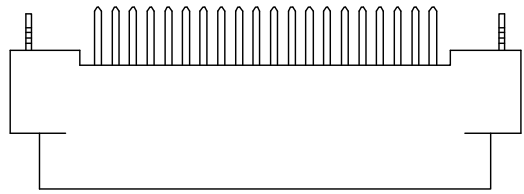
L-KLS1-SCSI-11-40 F L S



ANGLE TOLERANCE	PROJECTION	Description:	SCSI Connector CN Type Plastic R/A Straight Female PCB Mount	
±3°				
GENERAL TOLERANCE	UNITS	mm	KLS P/N:	L-KLS1-SCSI-11
x.x ±0.30	SHEET SIZE	A4		
x.xx ±0.20	Draw:	Daniel	2021-10-11	
x.xxx ±0.10	Check:	Daniel	2021-10-11	

NingBo KLS ELECTRONIC CO.,LTD.

1 RoHS Compliance



No. of Pin	DIMENSIONS					n
	A	B	C	D		
20	11.43	17.24	21.40	24.00	9	
30	17.78	23.59	27.75	30.35	14	
40	24.13	29.94	34.10	36.70	19	
50	30.48	36.29	40.45	43.10	24	
60	36.83	42.64	46.80	49.45	29	
68	41.91	47.72	51.88	54.53	33	
80	49.53	55.34	59.50	62.13	39	
100	62.23	68.04	72.20	74.85	49	
120	74.93	80.74	84.90	87.55	59	

Electrical:

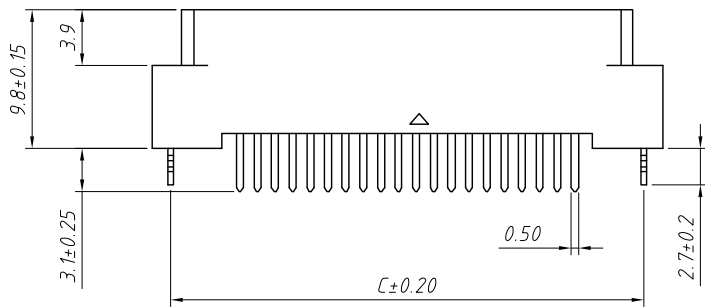
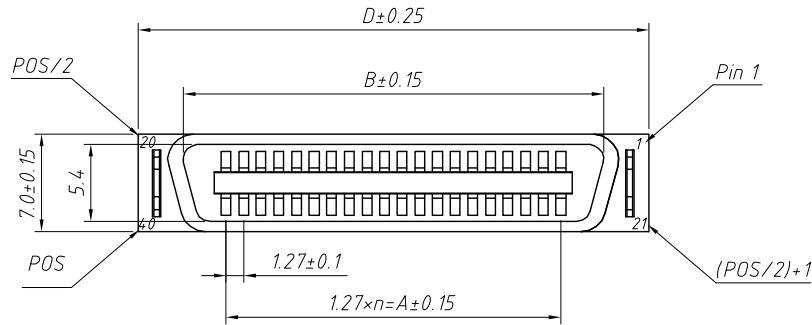
1. Current Rating: 1.0A
2. Contact Resistance: 35mΩ Max.
3. Insulation Resistance: 500MΩ Min
4. Withstanding Resistance: 500VAC RMS.

Materials:

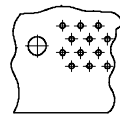
1. Insulator: LCP Polyester, UL94V-0
2. Contact: Phosphor Bronze
3. Plating: Au or Sn Over Ni
4. Standard: LCP

Environmental:

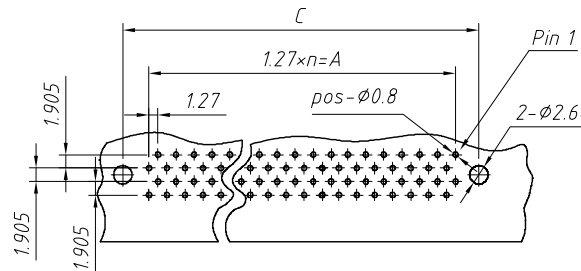
1. OPERATION: -40°C ~ 105°C
2. Max. Processing Temp: 230 for 30-60 seconds (260°C for 10 seconds)



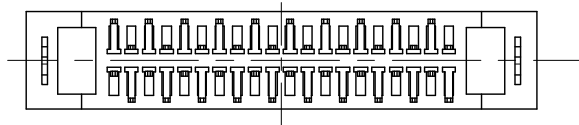
Recommended PC Board Mounting Dimensions Component Side



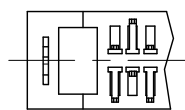
FOR 30 50 Positions only



FOR 20 40 60 68 80 100 120 Positions only



FOR 20 40 60 68 80 100 120 Pos



FOR 30 50 Pos

Order Information:

L-KLS1-SCSI-11-40 M L S

- L: RoHS
- SCSI Connector
- Serial Number
- No. of 20 ~ 120 Pins
- Type: M-Male
- Lock Option:
- L: With Fork Lock
- N: Without Fork Lock
- Plating:
- S: Half Gold Tin 3u" G: All Gold 3u"

ANGLE TOLERANCE	PROJECTION	Description:	SCSI Connector CN Type Plastic R/A Straight Male PCB Mount	
±3°				
GENERAL TOLERANCE	UNITS	mm	KLS P/N:	L-KLS1-SCSI-11
x.x ±0.30	SHEET SIZE	A4		
x.xx ±0.20	Draw:	Daniel	2021-10-11	
x.xxx ±0.10	Check:	Daniel	2021-10-11	



NingBo KLS ELECTRONIC CO.,L TD.