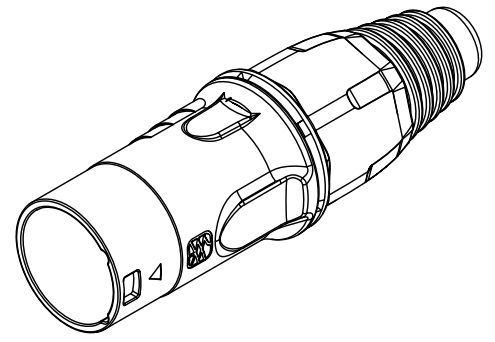
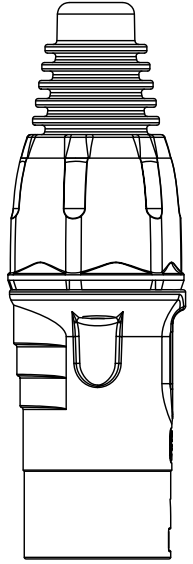
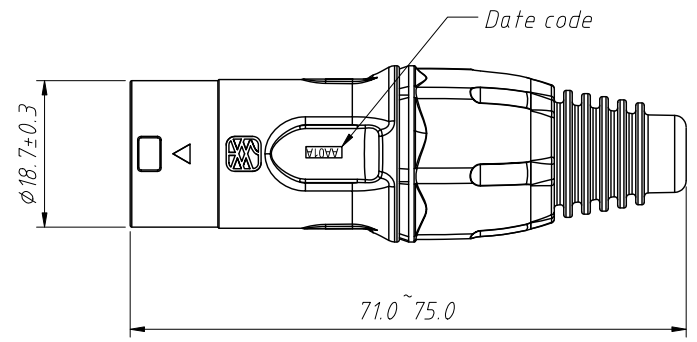
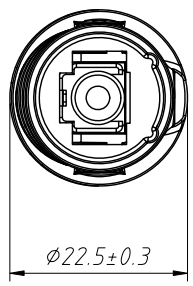


1  
RoHS Compliance

6		7		8	
REV	SYM	Revision Record		Appr.	Date
V0	KLS01256	New Version Release		Jenny	2024-07-25



Specifications:  
 Cable OD:  $\phi 5.0 - \phi 6.8\text{mm}$   
 Tightening torque:  $1.3\text{N.m}$   
 Waterproof Standard: IP67  
 Operating cycles (Min): 500 times  
 Operating temperature:  $-25^{\circ}\text{C} \sim +85^{\circ}\text{C}$



ANGLE TOLERANCE	PROJECTION	Description:			
$\pm 3^{\circ}$		IP65 RJ45 PLUG with Metal shell, PLUG			
GENERAL TOLERANCE	UNITS	mm	KLS P/N:		
x.x $\pm 0.30$	SHEET SIZE	A4	L-KLS12-WRJ45-20P		
x.xx $\pm 0.20$	Draw:	Jenny	2024-07-25	NingBo KLS ELECTRONIC CO.,L TD.	
x.xxx $\pm 0.10$	Check:	Daniel	2024-07-25		