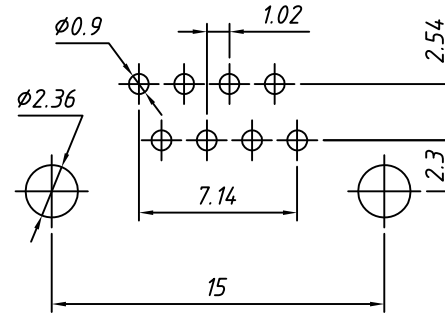
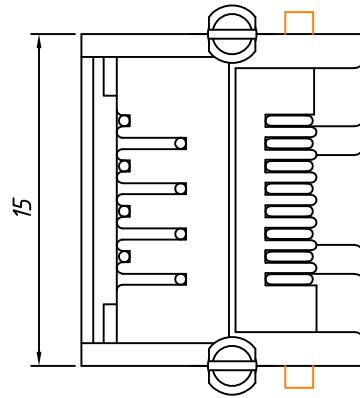
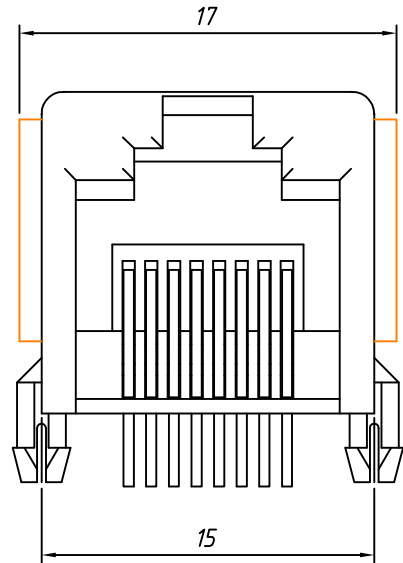


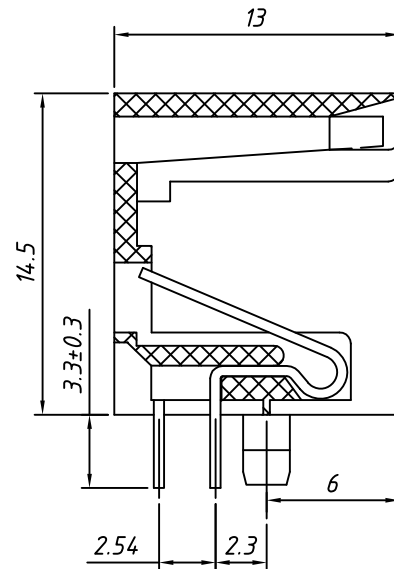
Without Panel



PCB Layout



With Panel



SECTION A-A

Material:  
 Housing: PBT+Glass Filled Polyester  
 Flammability Rating: UL94V-0  
 Contacts: Phosphor Bronze  $\phi 0.46\text{mm}$   
 Plating: Gold Plating

Electrical:  
 Voltage Rating: 125VAC  
 Current Rating: 1.5A  
 Contact Resistance: 30m $\Omega$  Max.  
 Insulation Resistance: 500M $\Omega$  Min.  
 Dielectric Strength: 1000VAC Rms 50Hz, 1 Min.  
 Durability: 600 cycles Min.  
 Operation Temperature: -40°C ~ +70°C

Order Information

L-KLS12-133-8P8C - W - 1 - XX

RoHS \_\_\_\_\_  
 Contacts: 8P8C \_\_\_\_\_  
 Panel: W-With Panel \_\_\_\_\_  
       W/O-Without Panel \_\_\_\_\_  
 Color Code: \_\_\_\_\_  
           1-Black  
           2-Gray  
 Plating Code: \_\_\_\_\_  
           01-Fu" Gold Plating  
           02-3u" Gold Plating  
           03-6u" Gold Plating  
           04-15u" Gold Plating  
           05-30u" Gold Plating

GENERAL TOLERANCE	PROJECTION		Description:
X. $\pm 0.30$	UNITS	mm	RJ45-8P8C Modular jacks
.X $\pm 0.25$	SCALE	1:1	
.XX $\pm 0.20$	Draw by:	Jenny	
ANGLE TOLERANCE	Check by:	Daniel	KLS P/N: L-KLS12-133-8P8C-X-X-XX
X. $\pm 3^\circ$	Date	2018-03-01	NingBo KLS ELECTRONIC CO.,LTD.
.X $\pm 2^\circ$	SHEET	1 OF 1	
.XX $\pm 1^\circ$			