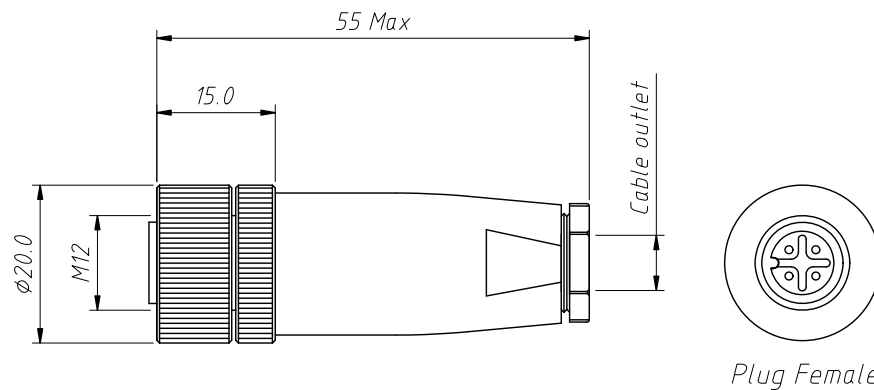
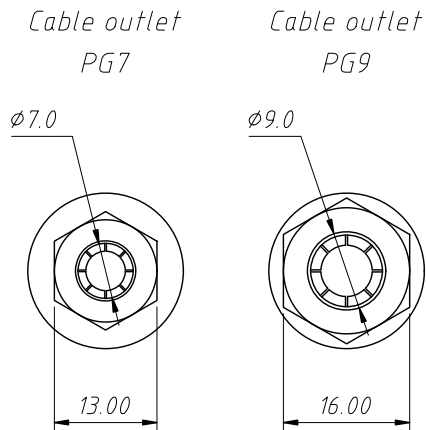


1 RoHS Compliance



Material:

Insulation: PBT/PA, UL 94 V-0, Black.

Connector Pin: Brass, 0.025u" Gold plated

Nut/Screw: Brass, Nickel plating

Electrical Characteristics:

Contact Resistance: 5mΩ Max

Insulation resistance: 100 MΩ Min

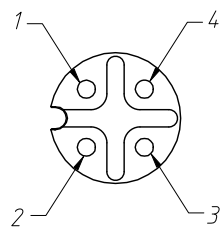
Mechanical properties:

IP rating: IP67

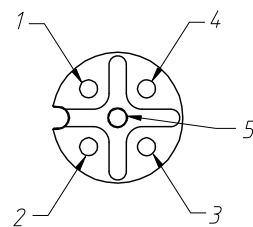
Wire gauge: 24 AWG / 0.25mm<sup>2</sup>

Mechanical characteristics: mating/cycle > 100 cycle

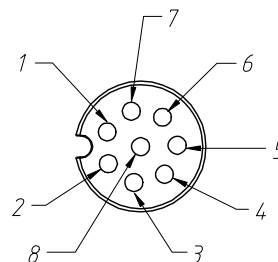
Operating Temperature: -40°C ~ +85°C



L-KLS15-M12A-P204PG7  
L-KLS15-M12A-P204PG9



L-KLS15-M12A-P205PG7  
L-KLS15-M12A-P205PG9



L-KLS15-M12A-P208PG9

Order Information:

L-KLS15-M12 A-P2 04 PG7

L: RoHS

Screw type: M12

A: A-Coding

Type:

P1: Plug Code (Male Pin)

P2: Plug Code (Female Pin)

Number of Contacts:

(04P 05P 08P)

Cable outlet PG7 or PG9

| No. of Pin    | 04 P | 05 P | 08 P |
|---------------|------|------|------|
| Rated current | 4A   | 4A   | 2A   |
| Rated voltage | 250V | 60V  | 30V  |

| ANGLE TOLERANCE   | PROJECTION | Description:                                       |
|-------------------|------------|--|
| ±3°               |            | M12 IP67 Waterproof circular plug female connector |
| GENERAL TOLERANCE | UNITS      | mm   |
| x.x ±0.30         | SHEET SIZE | A4   |
| x.xx ±0.20        | Draw:      | Daniel 2022-04-01                                  |
| x.xxx ±0.10       | Check:     | Daniel 2022-04-01                                  |



NingBo KLS ELECTRONIC CO., L TD.