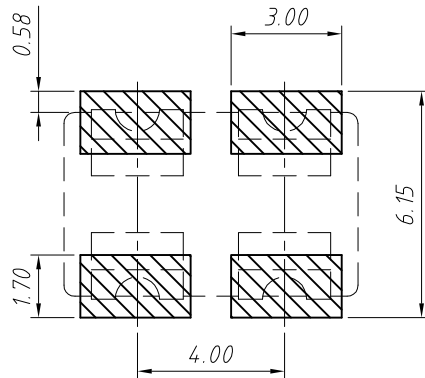
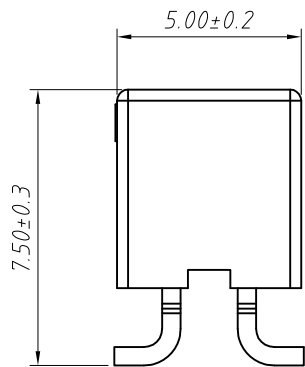
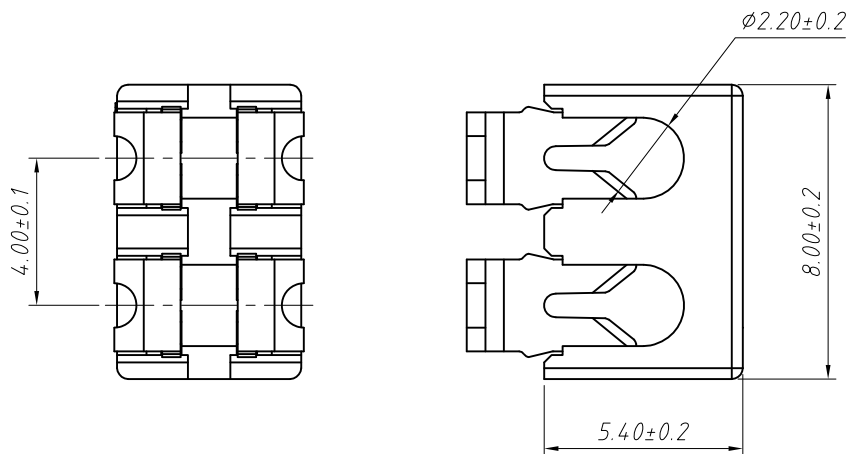
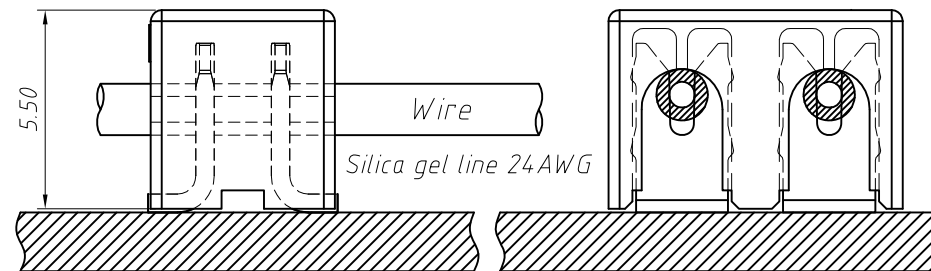
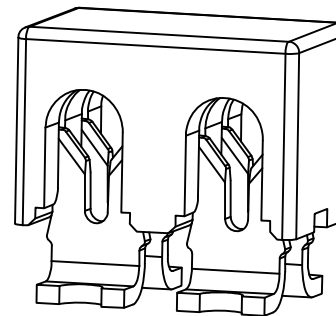


1 RoHS Compliant



Board Layout

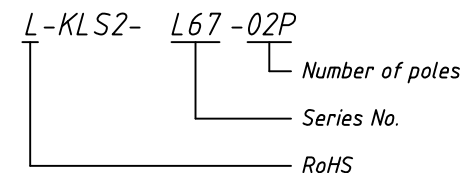



Assembly Layout

MATERIAL
 Insulator:LCP,UL 94V-0,Beige
 Contacts:Brass,Tin-plated

Main Specifications
 Poles:02P
 Contact Resistance: $\leq 20m\Omega$
 Insulation Resistance: $\geq 800M\Omega$
 Rated Voltage:250V AC DC
 Rated Current:2.0A AC DC
 Withstanding Voltage:1500V AC/minute
 Temperature Range: $-40^{\circ}C \sim +120^{\circ}C$

Order Information



GENERAL TOLERANCE		ANGLE TOLERANCE		PROJECTION	Description:
X	± 0.15	X	$\pm 5^{\circ}$	UNITS	Naked IDC SMT connectors with caps L-KLS2-L67-02P
.X	± 0.03	.X	$\pm 3^{\circ}$	SHEET SIZE	
.XX	± 0.05	.XX	$\pm 2^{\circ}$	KLS P/N:	
Draw by:	Jenny	Date:	2018-03-10	 NingBo KLS ELECTRONIC CO.,L TD.	
Check by:		Date:	2018-03-10		
SCALE		SHEET	1 OF 1		

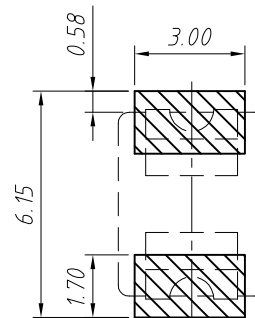
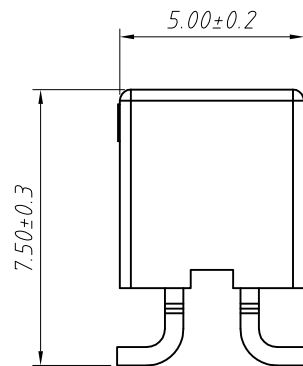
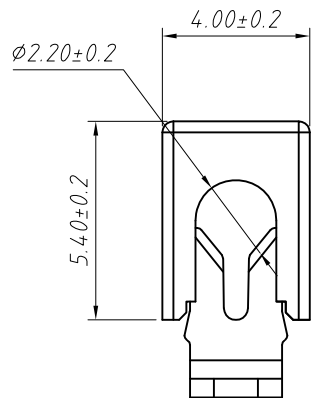
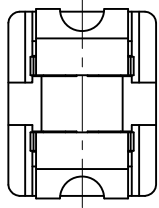
1
RoHS Compliant

MATERIAL
Insulator:LCP,UL 94V-0,Beige
Contacts:Brass,Tin-plated


Main Specifications
Poles:01P
Contact Resistance: $\leq 20m\Omega$
Insulation Resistance: $\geq 800M\Omega$
Rated Voltage:250V AC DC
Rated Current:2.0A AC DC
Withstanding Voltage:1500V AC/minute
Temperature Range: $-40^{\circ}C \sim +120^{\circ}C$

Order Information

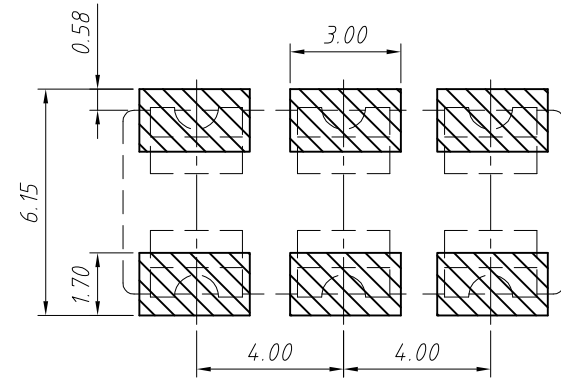
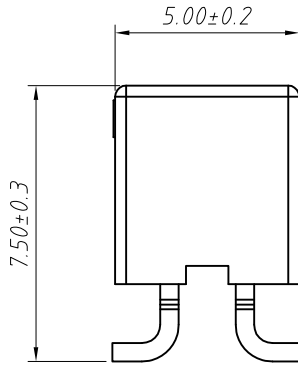
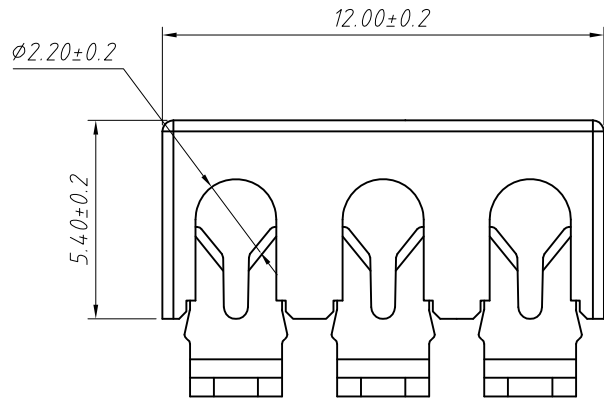
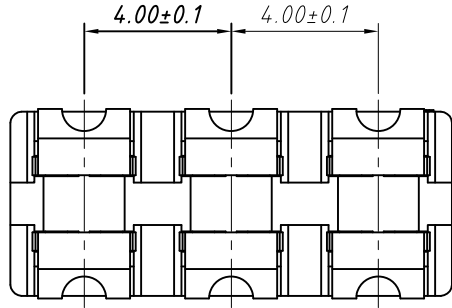
L-KLS2- L67 -01P
Number of poles
Series No.
RoHS



Board Layout

GENERAL TOLERANCE		ANGLE TOLERANCE		PROJECTION	Description:
X.	± 0.15	X.	$\pm 5^{\circ}$	UNITS	Naked IDC SMT connectors with caps L-KLS2-L67-01P
.X	± 0.03	.X	$\pm 3^{\circ}$	SHEET SIZE	
.XX	± 0.05	.XX	$\pm 2^{\circ}$	KLS P/N:	
Draw by:	Jenny	Date:	2018-03-10	 NingBo KLS ELECTRONIC CO.,L TD.	
Check by:		Date:	2018-03-10		
SCALE		SHEET	1 OF 1		

1
RoHS Compliant



Board Layout

MATERIAL
Insulator:LCP,UL 94V-0,Beige
Contacts:Brass,Tin-plated

Main Specifications
Poles:03P
Contact Resistance:≤20mΩ
Insulation Resistance:≥800MΩ
Rated Voltage:250V AC DC
Rated Current:2.0A AC DC
Withstanding Voltage:1500V AC/minute
Temperature Range: -40 °C ~ + 120 °C

Order Information

L-KLS2- L67 -03P
Number of poles
Series No.
RoHS

GENERAL TOLERANCE		ANGLE TOLERANCE		PROJECTION	Description: Naked IDC SMT connectors with caps L-KLS2-L67-03P	
.X	±0.15	.X	±5°	UNITS		mm
.X	±0.03	.X	±3°	SHEET SIZE		A4
.XX	±0.05	.XX	±2°	KLS P/N:		
Draw by:	Jenny	Date:	2018-03-10		NingBo KLS ELECTRONIC CO.,LTD.	
Check by:		Date:	2018-03-10			
SCALE		SHEET	1 OF 1			