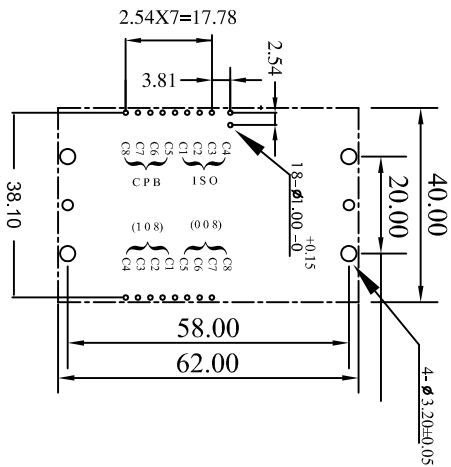
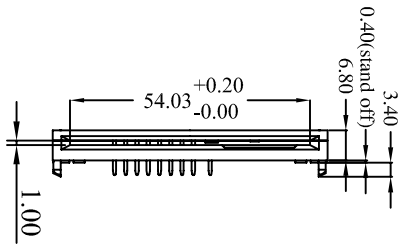
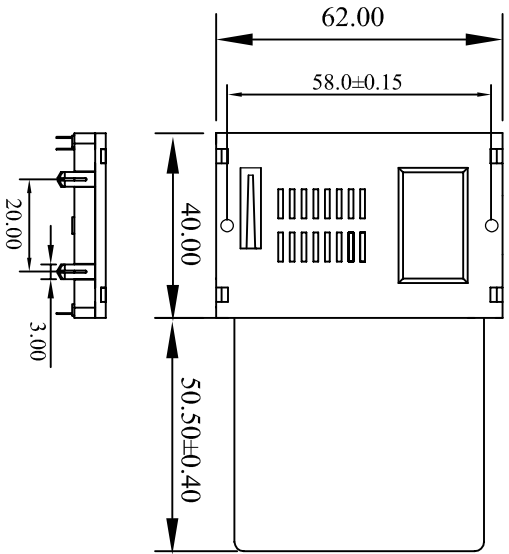
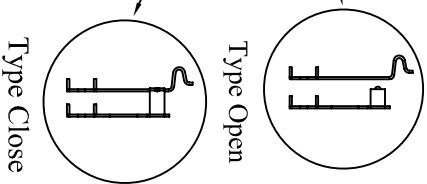
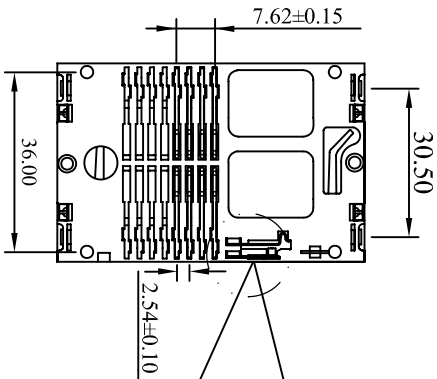


REVISION		DATE
REV.	DESCRIPTION	

Card Insertion  
Direction

### Through Hole Mounting



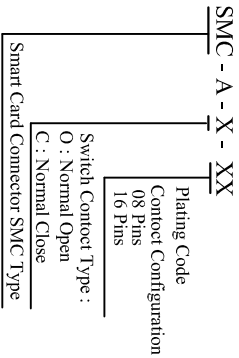
## Series Smart Card Connector (A Type)

### SPECIFICATION:

- Contact Material: Phosphor Bronze(SPOON)
- Insulator Material: P.B.T. UL 94V-0
- Terminal Plating: SnPb on nickel
- Switch Contact Plating: Gold(30micro Inch)
- Current rating: 1A DC Max
- Insulation resistance: 1000 Megaohms Min
- Contact resistance: 100 milliohms Max
- Withstand voltage: AC 1000V RMS (1Min)
- Rated voltage: 50V DC Max
- Temperature Range: -40°C~+60°C
- Card Insertion Force: 511g Max
- Card Withdrawal Force: 102g Min
- Insertion Cycles: 100000 cycles Min

### Note:

- Card Insertion Specification :  
A.Card Insertion Depth 35.3mm  
B.Card Thickness = 0.7 ~ 0.8mm
- Order Information :



GENERAL DIMENSION	X.X	X.XX	X.XXX
TOLERANCE	±0.35	±0.1	±0.005

UNITS:	mm
--------	----

DRAWN BY:	Storm Li	Customer:	Smart Card Dip type
CHECKED BY:	Simmon	Title:	
APPROVED BY:	Tony chou	P/NO:	SMC-A-X-X