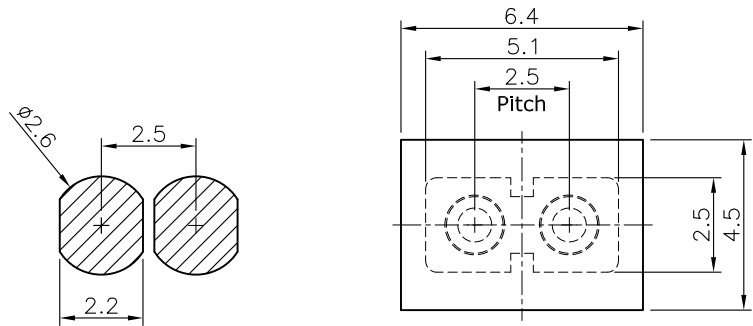
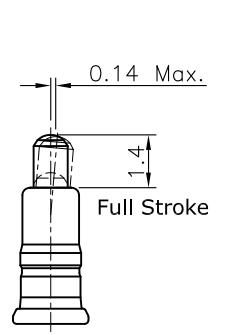
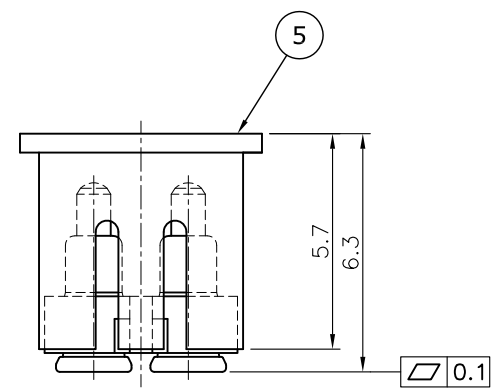
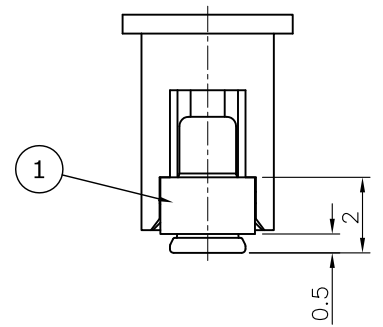


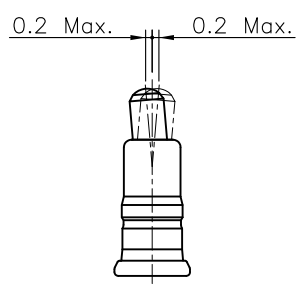
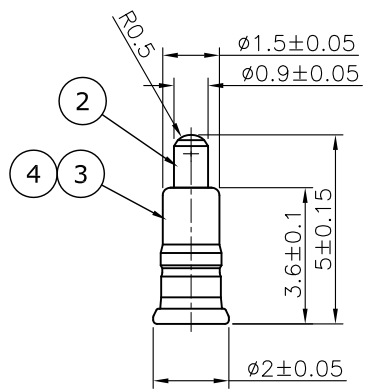
REV.	DESCRIPTION	DRAWN	DATE
1	INITIAL RELEASE	FROS	2016/03/30



Recommended Layout  
General Tolerance:  $\pm 0.05\text{mm}$



Contact Point

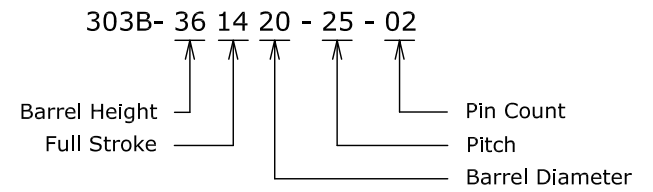


Fluttering of Pin Axis

**SPECIFICATION:**

1. ELECTRICAL
  - 1.1 Current Rating: 2A per pin
  - 1.2 Voltage Rating: 12V AC/DC
  - 1.3 Contact Resistance: 50mΩ
  - 1.4 Insulation Resistance: 100MΩ
  - 1.5 Dielectric Withstanding Voltage: 500VAC
2. MECHANICAL
  - 2.1 Pin Force: 1.08N±0.25N at Stroke 1.0mm
  - 2.2 Durability: 20,000 Cycles
3. ENVIRONMENTAL
  - 3.1 Operating temperature range: -40°C~+85°C
  - 3.2 Storage temperature range: -40°C~+85°C
4. SOLDER ABILITY
  - 4.1 Recommended IR Reflow Temperature: 250°C, 10Sec

How to Order



5	Cap	Nylon 46, UL94V-0, Black
4	Spring	SWP, 2u" Gold\ 2u" Nickel Plating
3	Barrel	C2700, 2u" Gold\ 80u" Nickel Plating
2	Pin	C2700, 40u" Gold\ 120u" Nickel Plating
1	Housing	PA6T 30%GF, UL94V-0, Black

NO.		PART NAME	DESCRIPTION
UNLESS OTHERWISE SPECIFIED TOLERANCE			
UNIT:	DECIMAL	LINEAR	ANGLES
	mm	X.X ±0.50	±5°
		X.XX ±0.25	±3°
		X.XX ±0.12	±1°
DRAWN		Fros	2016/03/30
CHECKED		Amy	2016/03/30
APPROVED		Ken	2016/03/30
SCALE		SHEET	SIZE
5/1	1/1	A4	FILE NAME
DRAWN NAME:		Pogo Pin 2 Pin Type, H5.0 Stroke 1.4 Barrel 2.0 Pitch 2.5, w/Cap, 40u"	
PRODUCT NO.		303B-361420-25-02	
FILE NAME		303B-361420-25-02_B_1	



WWW.ATTEND.COM.TW