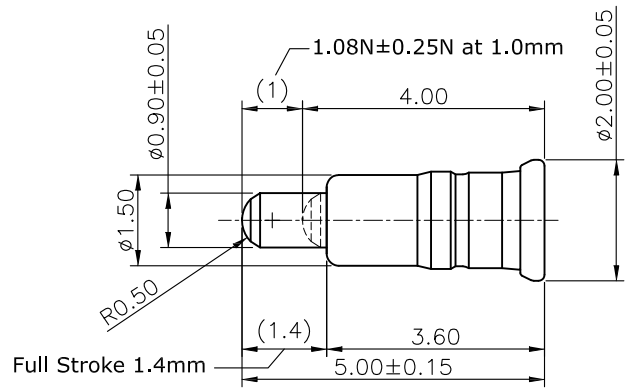
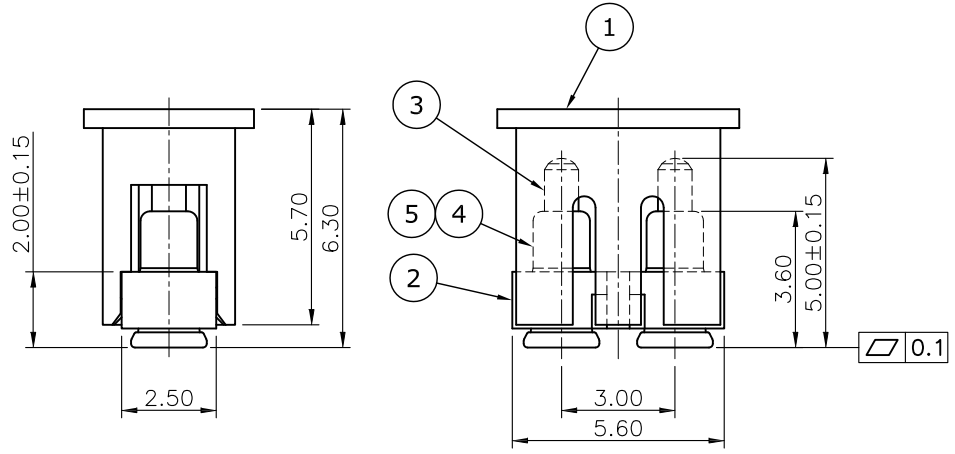
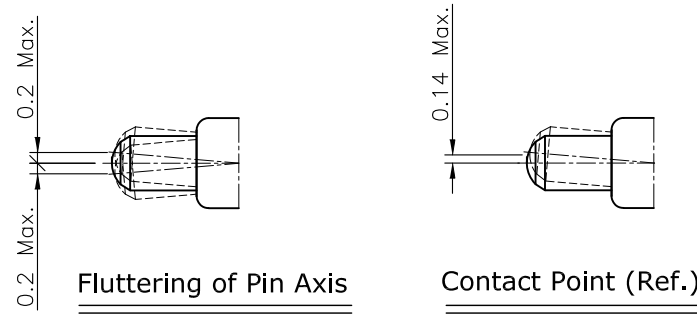
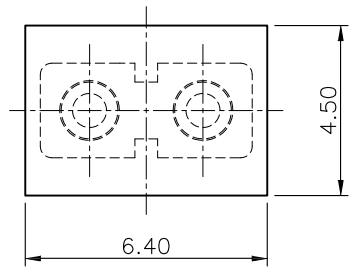
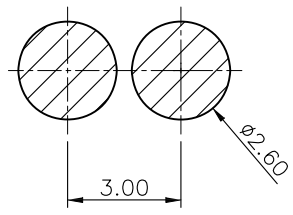


REV.	DESCRIPTION	DRAWN	DATE
1	INITIAL RELEASE	FROS	2016/03/30
2	Corrected Plating	FROS	2016/05/10



Scale 8/1



RECOMMENDED LAYOUT
GENERAL TOLERANCE: ±0.05

5	Spring	SWP, 2u" Gold\ 2u" Nickel Plating
4	Tube	C2700, 2u" Gold\ 80u" Nickel Plating
3	Pin	C2700, 40u" Gold\ 120u" Nickel Plating $\triangle 2$
2	HOUSING	PA6T+30%G/F, UL94V-0, Black
1	Cap	Nylon 46, UL94V-0, Black

NO.		PART NAME	DESCRIPTION	
UNLESS OTHERWISE SPECIFIED TOLERANCE				
UNIT:	DECIMAL	LINEAR	ANGLES	
	mm	X, X.X	±0.50 ±0.25	±5° ±3°
		X, XX	±0.12	±1°
WWW.ATTEND.COM.TW				
DRAWN	Fros	2016/03/03	DRAWN NAME:	
CHECKED	Amy	2016/03/03	Pogo Pin 2 Pin Type, H5.0 Stroke 1.4 Barrel 2.0 Pitch 3.0, w/Cap, 40u"	
APPROVED	Ken	2016/03/03	PRODUCT NO. 303B-361420-30-000	
SCALE	SHEET	SIZE	FILE NAME	
5/1	1/1	A4	303B-361420-30-000_B_2	

