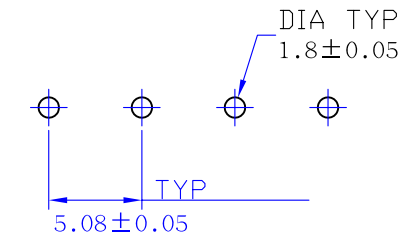
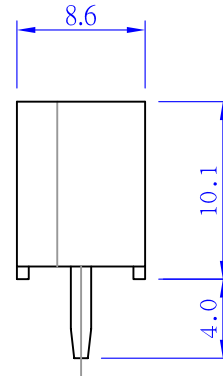
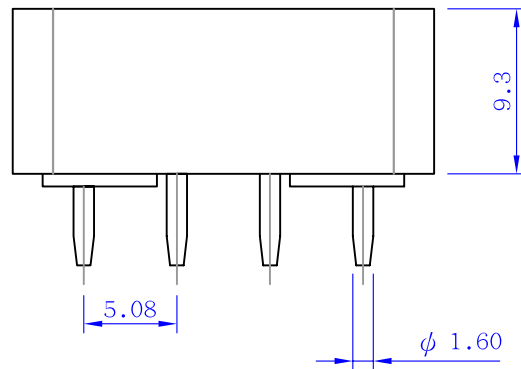
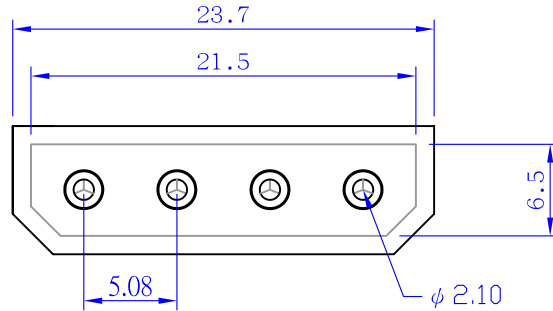


REVISION		
REV.	DESCRIPTION	DATE
A		JUNE.22.2005.

- * Material : Nylon66, UL 94V-2
- * Current rating : 5A, AC/DC
- * Voltage rating : 250V AC/DC
- * Finish : Tin-plated
- * Operating Temp : -25°C ~ +85°C
- * Contact resistance : 10mΩ Max.
- * Insulation resistance : 1000MΩ Min.
- * Withstanding Voltage : 1500V AC/minute



RECOMMENDED PCB LAYOUT

GENERAL DIMENSION TOLERANCE	X.X ±0.35	X.XX ±0.25	X.XXX ±0.1
-----------------------------	--------------	---------------	---------------

DRAWN BY:	Storm.Li	CUSTOMER		THIRD ANGLE PROJECTION		UNITS:	mm
CHECKED BY:	Simmon Zhang	Title:	Wafer				
APPROVED BY:	Tony Chou	P/N0:	SPS2-V04				