

Rev	Revisions	Rev.Drawn	Date
A			14.10.08

SPS2-04 Series

\*Poles:4

\*Material:Insulator:NYLON66 UL94V-2

\*Material:Post: Brass,tin plated

Specifications

\*Current rating:5A AC, DC

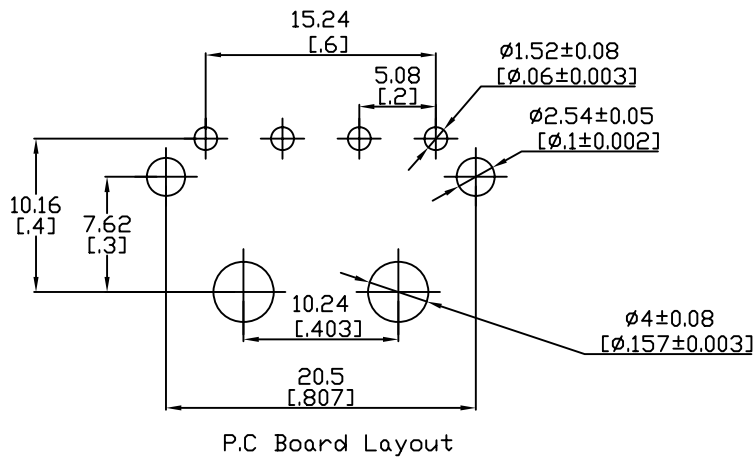
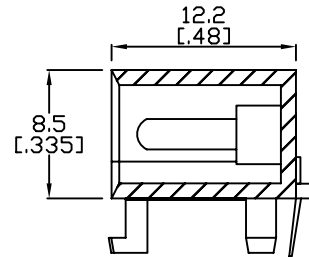
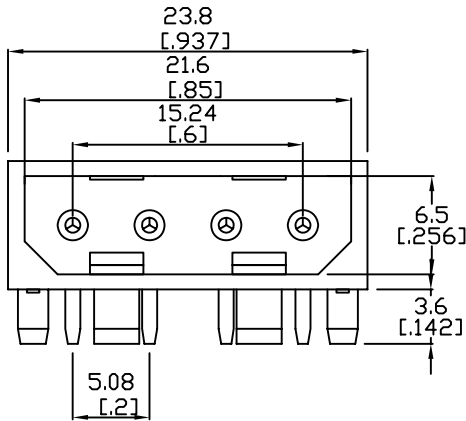
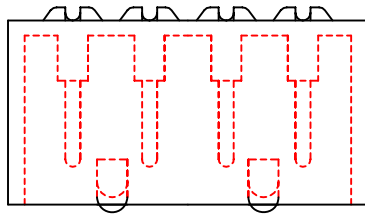
\*Voltage rating:250V AC, DC

\*Temperature range:-25°C~+105°C

\*Insulation resistance:1,000M Ωhm min.

\*Withstand voltage:1,500V AC/minute

\*Applicable PC board thickness:0.063"(1.6mm)



SGS Report No.:	Customer:	Part No.: SPS2-R04	
Title: 0.200*(5.08mm)Pitch Power connector			
Drawn By: Storm.Li	SCALE: 1:1	SHEET: 1/1	REV: A
Checked By: May	DWG NO.: SST081014-01		TOLERANCE:
Approved By: Tony	Thire angle Projection General Dimension Tolerance		Units mm