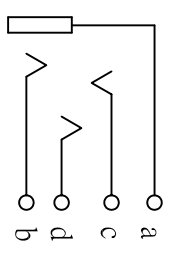
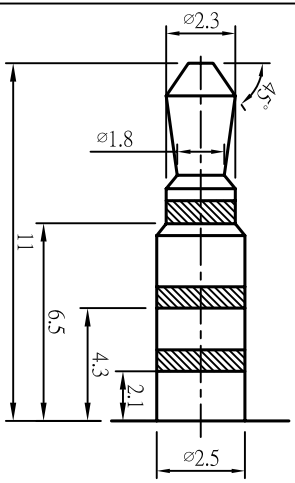
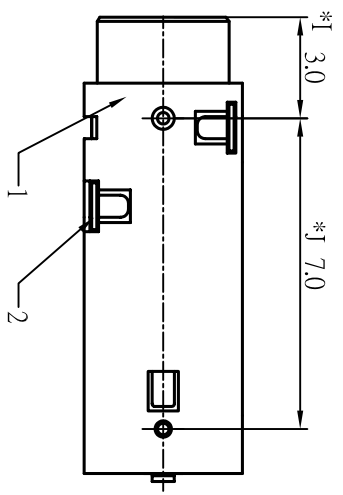
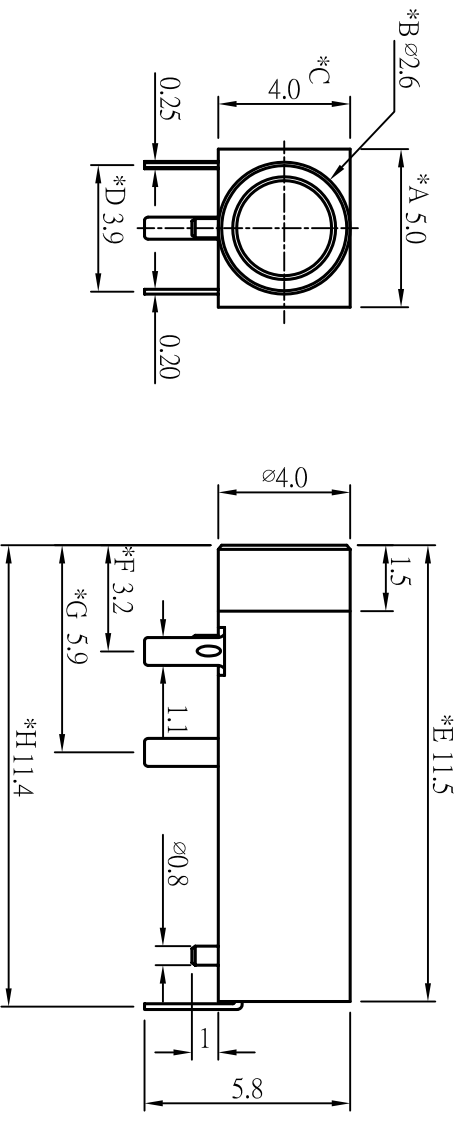


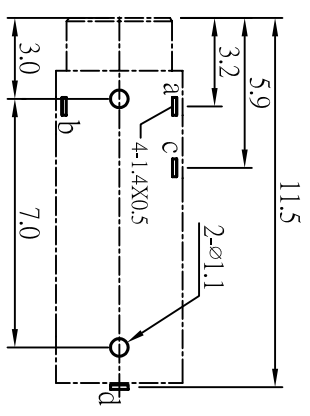
1 2 3 4



SCHMATIC



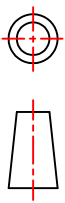
MATE PLUG



P.C.B.LAYOUT

\* CRITICAL DIMENSION

CHI FUNG ELECTRONICS CO.,LTD.



SERIES : STEREO JACKS	DRAWING NO.: CF-ENL-ST4034
PART NAME: ST-2694	GENERAL TOLERANCE
UNIT : M/M	WITHIN 0.XXmm±0.15mm
SCALE : 4:1	OVER 0.Xmm±0.25mm
REV : A/0	

NO.	PART NAME	MATERIAL	QTY	FINISHING
1	HOUSING	PA46	1	BLACK
2	TERMINAL A	PBS	4	Ag COATING
3				
4				
5				
6				
7				

1 2 3 4