



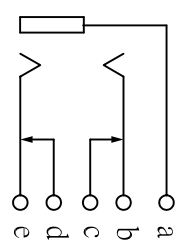
SPECIFICATION 规格书		规格书编号	CF-SPE-ST002-4
		版 本	A / 0
		页 次	1 / 3
		确 认 日 期	
WRITTEN 制定		APP'D 审批	
MODEL SERIES NAME 系列名称:		STEREO JACKS	
MODEL NO 产品型号:			
1.RATING 额定值:		DC 30V 0.3A	
2.ELECTRICAL CHARACTERISTICS 电气性能规格:			
ITEM 项目	TEST CONDITIONS 测试条件		PERFORMANCE 表现
2.1	CONTACT RESISTANCE 接触电阻	MEASURED AT SMALL CURRENT (100mA OR LESS) 1000Hz. 在微小电流(100mA)以下测试.	80mΩ Max 80毫欧以下
2.2	INSULATION RESISTANCE 绝缘电阻	APPLY A VOLTAGE OF 500V DC FOR 1 MIN. TO FOLLOWING PORTIONS AFTER WHICH MEASUREMENT SHALL BE MADE: (1) BETWEEN BODY AND CONDUCTOR. (2) BETWEEN CONDUCTOR NOT TO BE CONTACT. (3) BETWEEN CONDUCTOR NOT TO BE WHEN PLUG IS INSERTED. 输入 500V DC电压1分钟,按以下接触方法测试: (1)插座体与排脚之间. (2)不接触的排脚之间. (3)插头插入时不接触排脚之间.	100MΩ MIN. 100兆欧以上
2.3	DIELECTRIC STRENGTH 耐电压	AC 500V ims(50-60Hz)FOR 1 MIN TRIP CURRENT:0.5 mA (1) BETWEEN BODY AND CONDUCTOR. (2) BETWEEN CONDUCTOR NOT TO BE CONTACT. (3) BETWEEN CONDUCTOR NOT TO BE WHEN PLUG IS INSERTED. 输入AC 500V (50-60Hz) 电压,1分钟感应电流为0.5mA.按以下接触方法测试: (1)插座体与排脚之间. (2)不接触的排脚之间. (3)插头插入时不接触排脚之间.	NO DAMAGE TO PARTS ARCING, OR BREAKDOWN ETC. 没有绝缘破坏等异常.
3	PRACTICAL TEMPERATURE RANGE 使用温度范围	-40℃~+85℃ 在-40℃~+85℃ 温度内使用	
4	STANDARD ATMOSPHEIC CONDITIONS 测试标准状态	UNLESS OTHERWISE SPECIFIED. THE STANDARD RANGE OF ATMOSPHERIC CONDITIONS FOR MAKING MEASUREMENTS AND TESTS ARE AS FOLLOWS: (1)AMBIENT TEMPERATURE:5℃ TO 35℃. (2)RELATIVE HUMIDITY:45% TO 85%. (3)AIR PRESSURE:80Kpa TO 106Kpa. 在没有指定的情况下测试温度,湿度,气压如下: (1)温度为5℃~35℃. (2)湿度为45%~85%. (3)气压为80Kpa~106Kpa.	



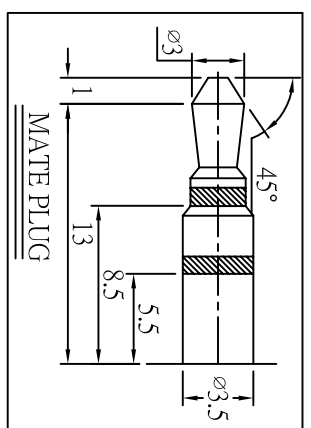
SPECIFICATION 规格书		规格书编号	CF-SPE-ST002-4	
		版 本	A / 0	
		页 次	2 / 3	
		确 认 日 期	2008 年 11 月 23 日 李瑞成	
5. MECHANICAL CHARACTERISTICS 机械性能规格:				
ITEM 项目	TEST CONDITIONS 测试条件	PERFORMANCE 表现		
5.1	CONNECTION FORCE 插入力度	MEASUREMENT SHALL BE MADE AFTER CONNECTING AND DISCONNECTING USING STANDARD PLUG GAUGE 3 TIMES. 依据标准的PLUG GAUGE 做3次拔插后测定.	0.3~2Kgf	
	DISCONNECTION FORCE 拔出力度	MEASUREMENT SHALL BE MADE AFTER CONNECTING AND DISCONNECTING USING STANDARD PLUG GAUGE 3 TIMES. 依据标准的PLUG GAUGE 做3次拔插后测定.	0.3~1.5Kgf	
5.2	TERMINAL STRENGTH 端子强度	A STATIC LOAD OF 300gf SHALL BE APPLIED TO THE TERMINAL FOR 15 SEC. IN ANY DIRECTION. 在排脚前端任意一个方向的先端加上300 gf力度测试,时间为15秒.	ELECTRICAL CHARACTERISTICS SHALL BE SATISFIED WITHOUT DAMAGE OR EXCESSIVE LOOSENESS OF TERMINALS. 在排脚中没有裂开,松动等异常,满足于机械,电器性能.	
5.3	LIFE TEST 寿命测试	ENDURANCE WITHOUT LOADING: AN ACTUATOR SHALL BE SUBJECT TO 5,000 CYCLES AT A SPEED OF 25-30 CYCLES FOR 1 MIN. 无负荷: 操作者以每分钟25~30次的频率作5,000回之无负荷测试.	(1)CONTACT RESISTANCE SHALL BE 100mΩ MAX. 接触电阻不能超过100毫欧. (2)MECHANICAL AND ELECTRICAL CHARACTERISTICS SHALL BE SATISFIED. 其它满足于机械,电器性能.	
6. DURABILITY 耐久性:				
ITEM 项目	TEST CONDITIONS 测试条件	PERFORMANCE 表现		
6.1	COLD TEST 耐冷试验	THE JACK SHALL BE STORED AT A TEMPERATURE OF $-40 \pm 3^{\circ}\text{C}$ FOR 96 HOURS, THEN THE SWITCH SHALL BE MAINTAINED AT STANDARD ATMOSPHERIC CONDITION FOR 1 HOUR AFTER WHICH MEASUREMENT SHALL BE MADE. 放置在温度 $-40 \pm 3^{\circ}\text{C}$ 中96小时后,再放置常温中1小时来进行测试.	THERE SHALL BE NO DEFORMATION OR CRACKS IN MOLDED PART. 外观无异常,满足于机械,电器性能.	



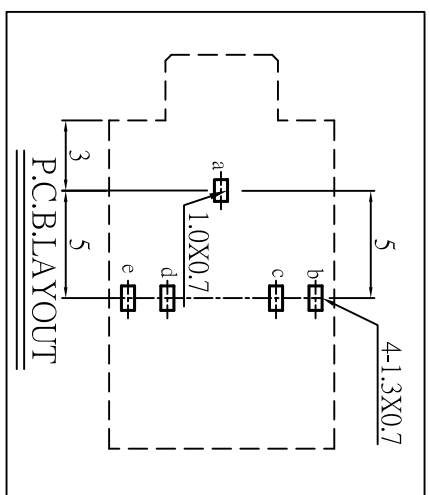
SPECIFICATION 规格书		规格书编号	CF-SPE-ST002-4
		版 本	A / 0
		页 次	3 / 3
		确 认 日 期	2006.11.23 志丰电子
ITEM 项目	TEST CONDITIONS 测试条件		PERFORMANCE 表现
6.2	HEAT TEST 耐热试验	<p>THE JACK SHALL BE STORED AT A TEMPERATURE OF $85 \pm 2^{\circ}\text{C}$ FOR 96 HOURS. THEN THE SWITCH SHALL BE MAINTAINED AT STANDARD ATMOSPHERIC CONDITION FOR 1 HOUR AFTER WHICH MEASUREMENT SHALL BE MADE.</p> <p>放置在温度$85 \pm 2^{\circ}\text{C}$中测试96小时后,再放置正常室温中1小时来测定.</p>	
6.3	SOLDERABILITY TEST 可焊性试验	<p>THE TOP OF THE TERMINALS SHALL BE DIPPED 2mm IN THE SOLDER BATH OF $230 \pm 5^{\circ}\text{C}$ FOR 3 ± 0.5 SECONDS.</p> <p>端子顶部被浸入锡焊池中2mm深,温度为$230 \pm 5^{\circ}\text{C}$,时间为 3 ± 0.5秒.</p>	<p>AREA OF SOLDERING NEED BE SMOOTH AND GOOD PERFORMANCE.</p> <p>焊锡部分粘锡均匀,饱满,锡面平滑.</p>
6.4	RESISTANCE TO SOLDERING HEAT TEST 耐焊性试验	<p>SOLDER BATH METHOD: SOLDER TEMPERATURE $260 \pm 5^{\circ}\text{C}$, IMMERSION TIME 3 ± 0.5 SEC, IMMERSION DEPTH UP TO THE SURFACE OF THE BOARD THICKNESS OF PRINTED WIRING BOARD 1.6 mm DIMENSIONS OF COMPONENT HOLES IN THE PRINTED WIRING BOARD SHALL BE ACCORDANCE TO THE SPECIFICATION.</p> <p>焊炉焊接的时候温度控制在 $260 \pm 5^{\circ}\text{C}$,过炉时间$3 \pm 0.5$秒,于(基板)厚度应1.6mm.</p>	<p>WITHOUT DEFORMATION OF CASE OR EXCESSIVE LOOSENESS OF TEMINALS ELECTRICAL CHARACTERISTICS SHALL BE SATISFIED.</p> <p>本体无变形,能满足于机械,电器性能.</p>
6.5	HUMIDITY TEST 潮湿试验	<p>THE JACK SHALL BE STORED AT A TEMPERATURE OF $40 \pm 2^{\circ}\text{C}$ AND A HUMIDITY OF 90% TO 95% FOR 96 HOURS . THEN THE SWITCH SHALL BE MAINTAINED AT STANDARD ATMOSPHERE CONDITION FOR 1 HOUR AFTER WHICH MEASUREMENT SHALL BE MADE.</p> <p>放置$40 \pm 2^{\circ}\text{C}$试验的相对湿度为90%-95%环境中96小时后,再将样板放在正常环境1小时后进行测试.</p>	



SCHEMATIC

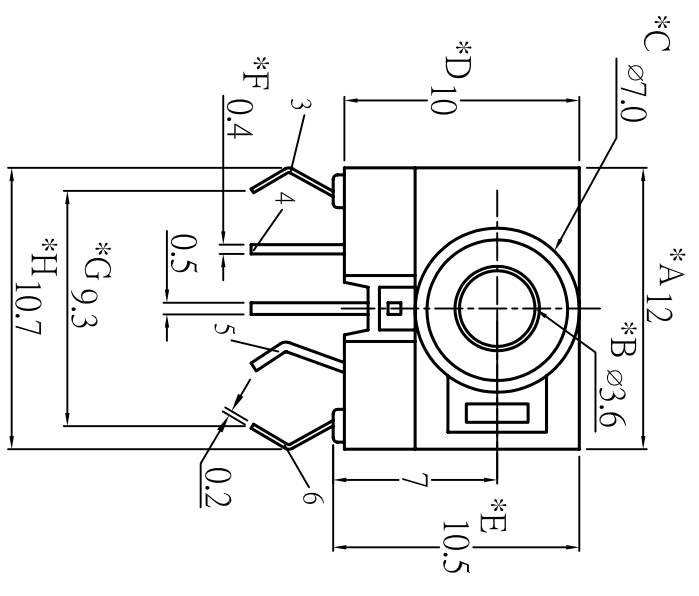
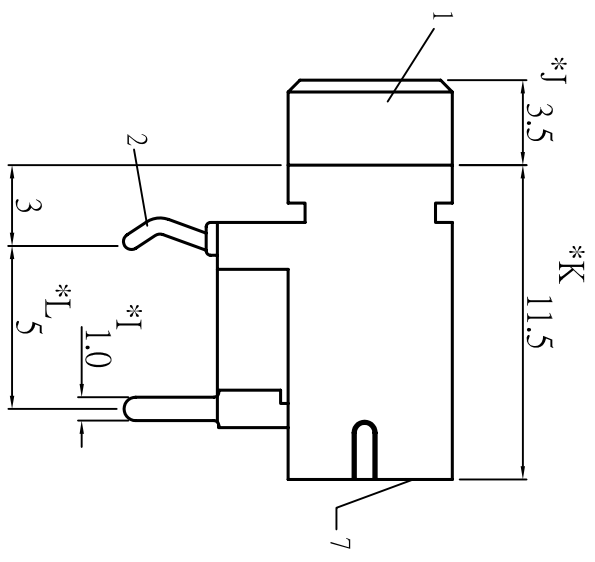


MATE PLUG

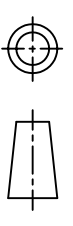


P.C. BLAYOUT

* CRITICAL DIMENSION



CHI FUNG ELECTRONICS CO.,LTD.



SERIES : STEREO JACKS	DRAWING NO: CF-ENL-ST4036
PART NAME: ST-28	GENERAL TOLERANCE
UNIT : MM	WITHIN 0.XXmm±0.15mm
SCALE : 3:1	OVER 0.Xmm±0.25mm
REV : A/0	APPD.

NO.	COVER	POM	QTY	FINISHING
7	COVER	POM	1	BLACK
6	TERMINAL e	PBS	1	Ag COATING
5	TERMINAL d	BRASS	1	Ag COATING
4	TERMINAL c	BRASS	1	Ag COATING
3	TERMINAL b	PBS	1	Ag COATING
2	TERMINAL a	BRASS	1	Ag COATING
1	HOUSING	PA66	1	BLACK OR GREEN
	PART NAME	MATERIAL		