

1 2 3 4 5 6 7 8 9

F

F

D

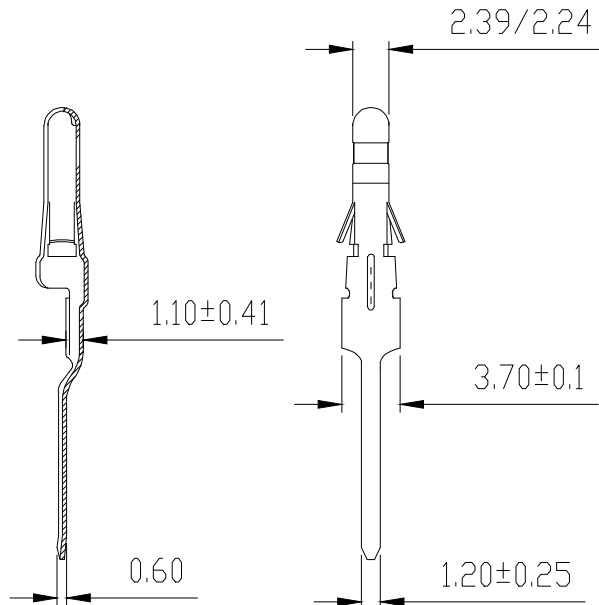
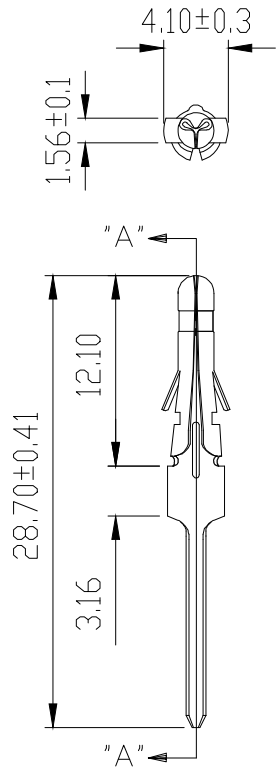
Autodesk

B

A

1 2 3 4 5 6 7 8 9

系列类别码	PITCH值	未加工型態	端子长度	电镀码	端子材质
T X X X XX - XXX XX X - 02 - 09 - 2134					
端子	M=公座 F=母座	G=1.0 I=1.27*1.27 L=2.0 N=2.54 P=3.96 R=5.08 Z=其他 (散装端子) B=0.8	X=1 X=2 X=3 X=4 参照附表1	流水码 01~99	01=Gold flash 02=Gold 50" 03=Gold 100" 04=Gold 150" 05=Gold 300" 11=Matte Tin 12=Plating tin
			XXX=001 XXX=002 XXX=003	06=Gold 0.80" 07=Gold 10" 08=Gold 50" 09=Gold 100" 10=Gold 特殊U" S1=Gold/Tin S2=Gold 50"/Tin S3=Gold 100"/Tin S4=Gold 150"/Tin S5=Gold 300"/Tin XX>Select Plating	B=Brass P=Phone Bronze E=镀铜



SECT. "A-A"

Remark:
1. Terminal Material: C2680, thickness:0.3±0.01mm;
2. Electrical Plating: Matte tin plated(100U'')over Nickel 50U''.

GENERAL TOLERANCE	ANGLE TOLERANCE	DESIGN DATE		
X. ±0.4 .X ±0.30 .XX ±0.20 .XXX ±	X' ±10' .X' ±5' .XX' ±1' .XXX' ±	Jock 2020.08.17		
UNIT:mm	SCALE 1:1	CHECK DATE	FILE NAME (品名)	Crimp terminal φ3.61 male
A4	SHEET: 1 of 1	APPRO. DATE	PART NO (料号)	TMZ101-286XXB-02-09-2134
			DRAWING NO (图号)	TMZ101-286-001
			REV. AO	

Autodesk

C

B

A