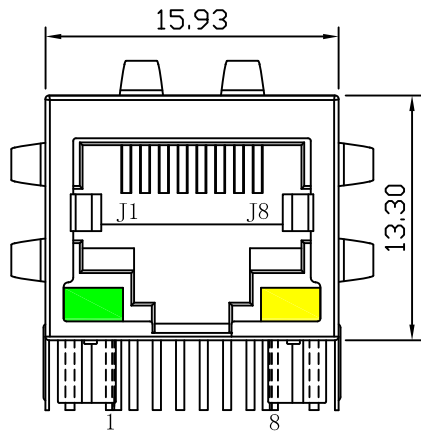
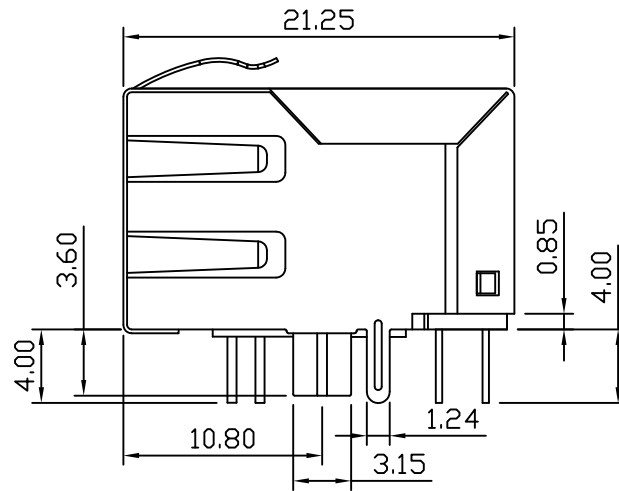


Mechanical:

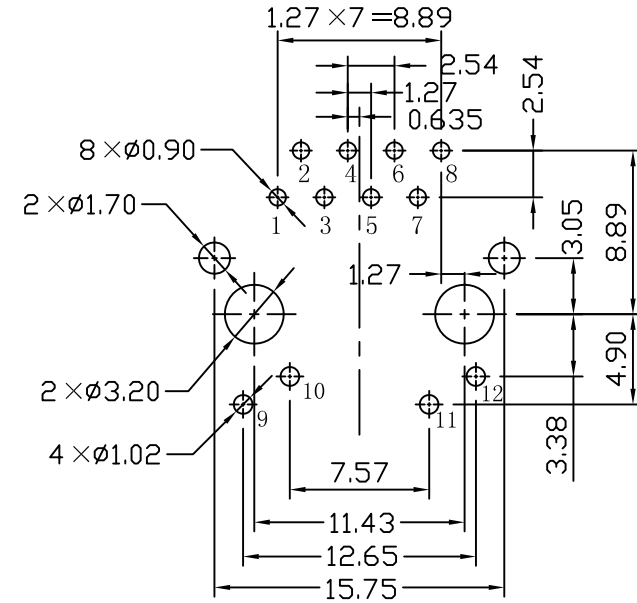
REV.	ECN NO.	DESCRIPTION	DATE	APPD
A	REL		2008/12/12	



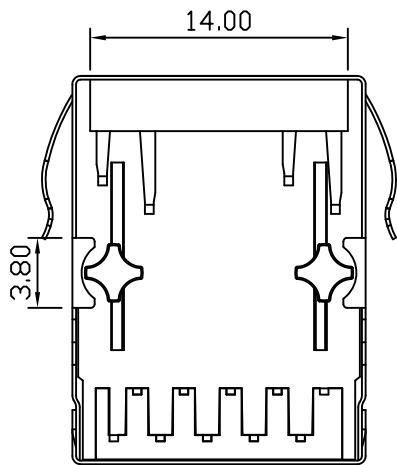
Front Side View



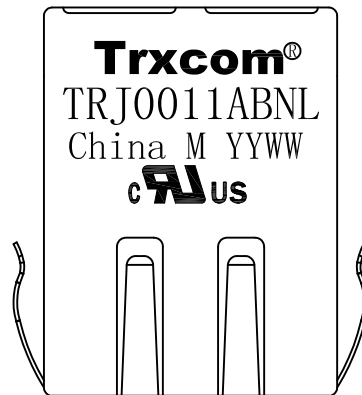
Left Side View



Suggested PCB Layout (Top View)



Bottom Side View



Top Side View

NOTES:

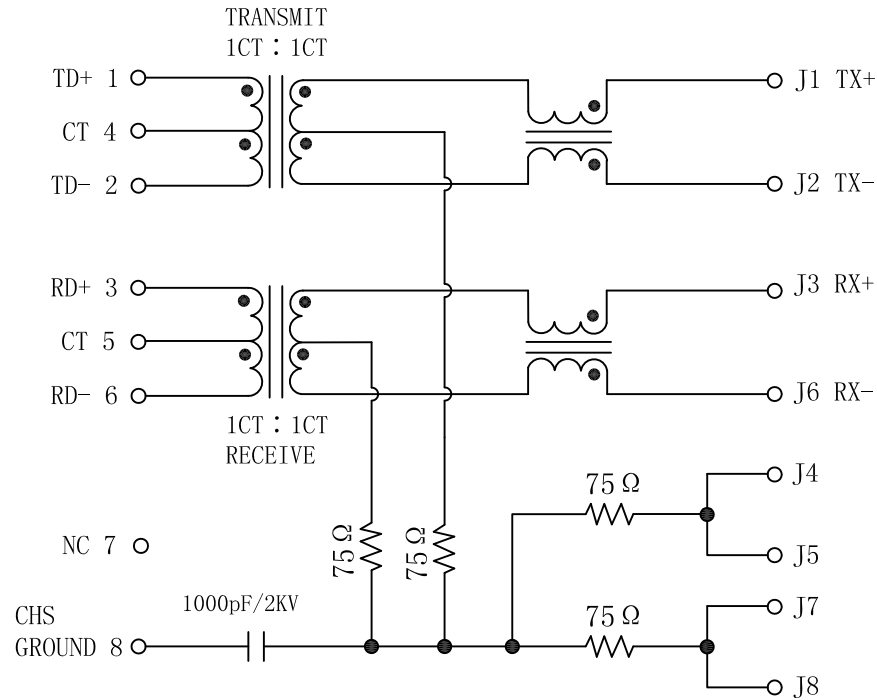
1. Designed to support application, such as SOHO (ADSL modems), LAN-on-Motherboard (LOM), hub and Switches.
2. Meets IEEE 802.3 specification
3. Connector Materials:
 Housing: Thermoplastic PBT+30%G.F UL94V-0
 Contact: Phosphor Bronze C5210R-EH Thickness=0.35mm
 Pins: Brass C2680R-H Thickness=0.35mm
 Shield: SUS 201-1/2H Thickness=0.2mm
 Contact plating: Gold 6 micro-inches min. In contact area.
4. Wave solder tip temperature: 265°C Max, 5 Sec Max
5. UL Certification: File Number E321120.

X:X	±0.30	APPD:	Trxcom	
X:XX	±0.25	CHKD:	Huizhou TRXCOM Electronics Co., LTD	
X:XXX	±0.05	DR: C. H. Y	TITLE: RJ45 Connector with 10/100 Base-T Integrated Magnetics	
ANGLES	±1°	UNIT: mm	PART NO.: TRJ0011ABNL	
	SCALE: 2/1	SHEET: 1/2	REV: A	DWG NO.: TRC08121203

Schematic:

REV.	ECN NO.	DESCRIPTION	DATE	APPD
A	REL		2008/12/12	

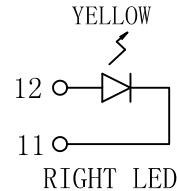
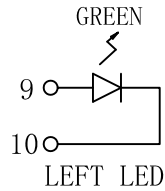
PC BOARD CONNECTIONS



RJ45 CONNECTOR

ELECTRICAL SPECIFICATIONS @25°C

- Turn Ratio(±2%):
TX=1CT : 1CT RX=1CT : 1CT
- Inductance OCL: 350uH MIN
@100KHz 0.1V 8mA DC Bias
- Insertion Loss:
-1.0dB MAX @ 1.0-100MHz
- Return Loss:
-18dB MIN @ 1-30MHz
-15dB MIN @ 30-60MHz
-12dB MIN @ 60-80MHz
-10dB MIN @ 80-100MHz
- Cross talk:
-40dB MIN @ 30MHz
-35dB MIN @ 60MHz
-30dB MIN @ 100MHz
- Common Mode Rejection:
-40dB MIN @ 30MHz
-35dB MIN @ 60MHz
-30dB MIN @ 100MHz
- Hipot: 1500Vrms
- Operating voltage: 3.3-5V Max
Current: 350mA.
- Operating Temperature Range: 0°C TO 70°C



Emitting Color	λ p(nm)	VF@IF=20mA	IR @VR=5V
GREEN	565	1.8-2.6V	10 μ A max
YELLOW	585	1.8-2.6V	10 μ A max

X:X ±0.30	APPD:	Trxcom Huizhou TRXCOM Electronics Co., LTD
X:XX ±0.25	CHKD:	
X:XXX ±0.05	DR: C. H. Y	TITLE: RJ45 Connector with 10/100 Base-T Integrated Magnetics
ANGLES ±1°	UNIT: mm	PART NO.: TRJ0011ABNL
	SCALE: 2/1	SHEET: 2/2
	REV: A	DWG NO.: TRC08121203

TRXCOM

Part NO: TRJ0011ABNL

PART NAME: Lan filter in DIP connector

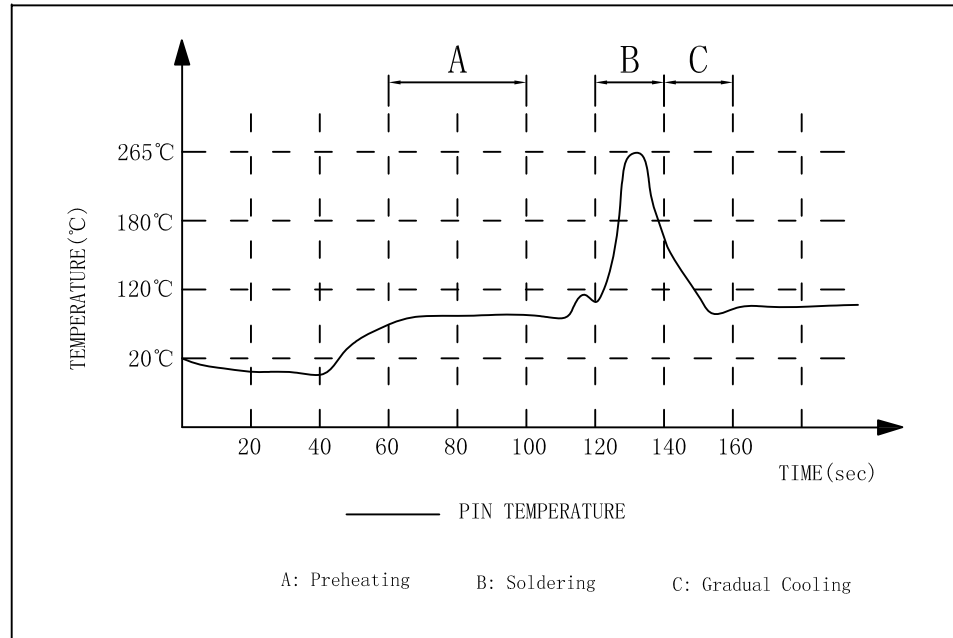


REV: A

TEMP(°C): 25

HUM(%): 65 RH

SUGGESTED PROFILE OF WAVE SOLDER FOR ROHS PRODUCT



(1) Tip Temperature: 265°C max

(2) Tip Temperature time: 5sec max

Note: The melting point of Tin: 219°C

TRXCOM

PACKAGING

Part number: TRJ0011ABNL

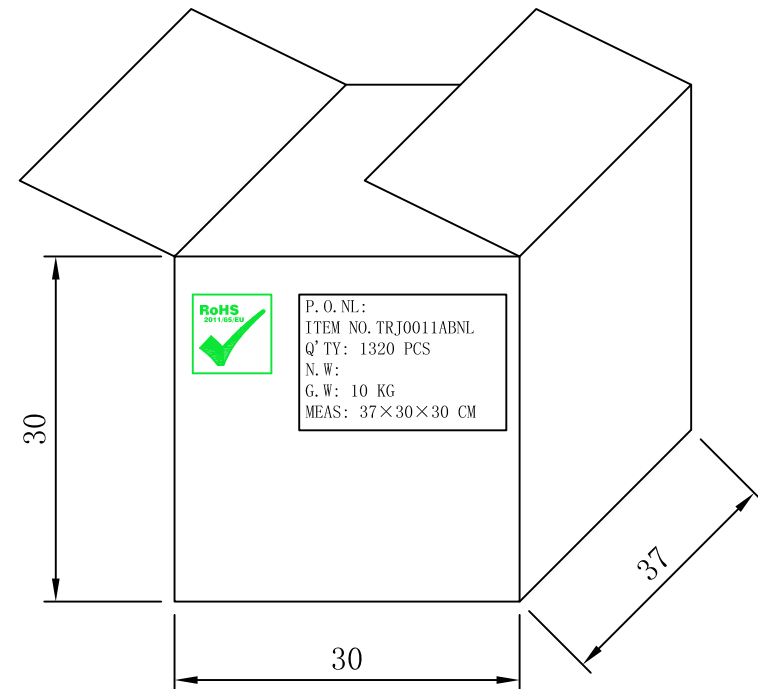
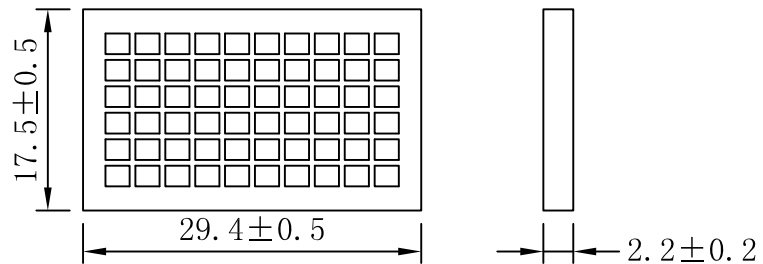
1. Packaging unit: 60PCS/tray

2. Packaging material: PVC

3. Packaging shape: [Unit=cm]

4. Outer carton

Unit: 22Trays with plastic bag / outer carton (1320PCS) (G.W. :10 Kg)



ORDER INFORMATION:
MOQ 5280PCS IN FOUR CTNS