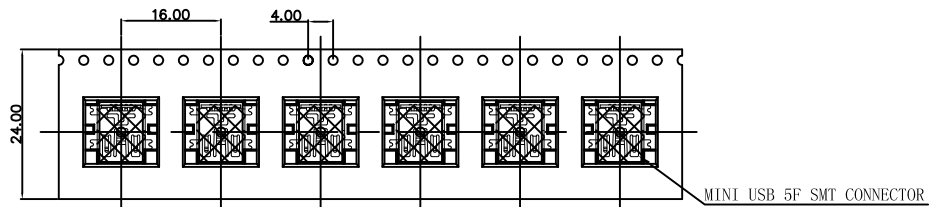


Specifications:
 Electrical:
 Contact Resistance:
 50min1ohms MAX
 Dielectric Wthstanding Voltage:
 100V AC AT Sea Level
 Insulation Resistance:
 100MΩ MIN
 Material:
 Housing :High temperature plastic
 UL94V-0
 Contact:Copper Alloy
 Shell:Copper Alloy
 PLATING:
 Contact:Piated Gold in
 Mating Area;Tin On Solder Talls
 Shell:Nickel Plating

202F-F G I O-R
 1 2 3 4

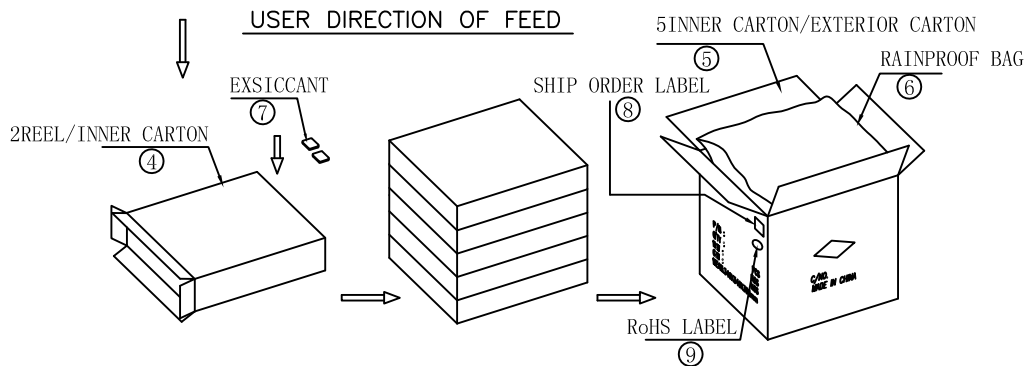
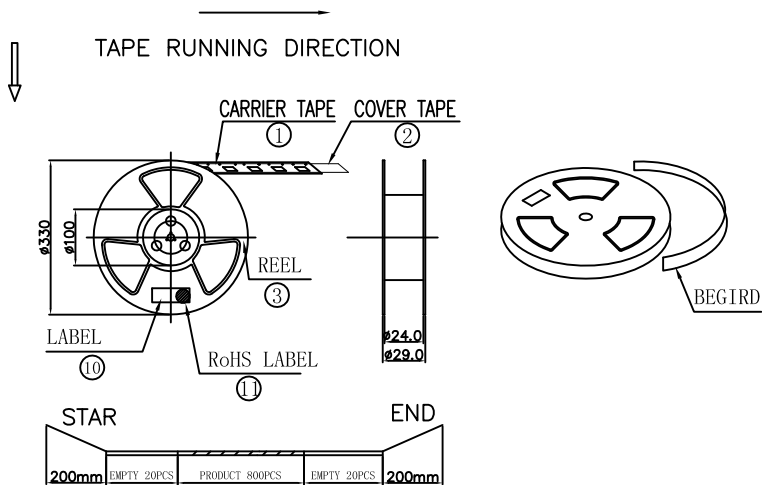
- 1.Type
F: Female type,For PCB
- 2.Contact Plating
G: 30u" gold plating
- 3.Shell Plating
T: Tin Lead plated
- 4.RoHS

UNLESS OTHERWISE SPECIFIED TOLERANCE				ATTEND					
ANGLES	ANG.	±5°	www.attend.com.tw						
	0.	±0.3							
LINEAR	0.0	±0.25	DRAWN NAME: Mini USB A Receptacle SMD Type						
	0.00	±0.20							
SCALE	AS SHOWN	UNIT: mm	DRAWN Willis 2012/08/03						
CHECKED	Angel	2012/08/03							
APPROVED	Ken	2012/08/03	PRODUCT NO.	202F-FGT0-R					
REV.	DESCRIPTION	DATE	REV.	DESCRIPTION	DATE	SIZE A4	REV. 1.0	FILE NAME	202F-FGT0-R_B_2
1			4						



NOTE:

1. 1600PCS/2 REEL/INNER CARTON;
8000PCS/5 INNER CARTON/EXTERIOR CARTON
2. N. W. =5.0 Kg;G. W. =11.55Kg



①	RoHS LABEL	10	PCS	①5.7	
⑩	LABEL	10	PCS		
⑨	RoHS LABEL	1	PCS	①40.0	
⑧	SHIP ORDER LABEL	1	PCS		
⑦	EXSICCANT	10	BAG		
⑥	RAINPROOF BAG	1	PCS	L800*W750mm	
⑤	EXTERIOR CARTON	1	PCS	346*346*352 K=K	
④	INNER CARTON	5	PCS	332*332*61MM A3B	
③	REEL	10	SET	①330*100mm, W=24mm	
②	COVER TAPE	800	PCS	W=21.3mm, 9.2M/REEL	
①	CARRIER TAPE	10	PCS	W=24mm, T=0.35mm, 8.8M/REEL	
NO.	PACKING NAME	PACKING QTY		UNIT	NOTE
		PCS/T	T/BOX		

UNLESS OTHERWISE SPECIFIED TOLERANCE		
ANGLES	ANG.	±5°
LINEAR	0.	±0.3
	0.0	±0.25
	0.00	±0.20
SCALE	AS SHOWN	UNIT: mm
DRAWN	Willis	2012/08/03
CHECKED	Angel	2012/08/03
APPROVED	Ken	2012/08/03



www.attend.com.tw

DRAWN NAME: Mini USB A Receptacle SMD Type

PRODUCT NO. 202F-FGT0-R

FILE NAME 202F-FGT0-R_D_2

③	Revise:										
②	Revise:										
①	Revise:										
REV.	DESCRIPTION	DATE	REV.	DESCRIPTION	DATE	SIZE	REV.	FILE NAME			

1	2	3	4	5	6	7	8	9	10
---	---	---	---	---	---	---	---	---	----