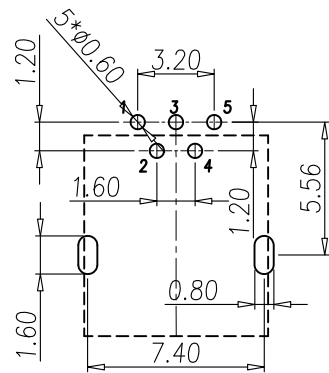
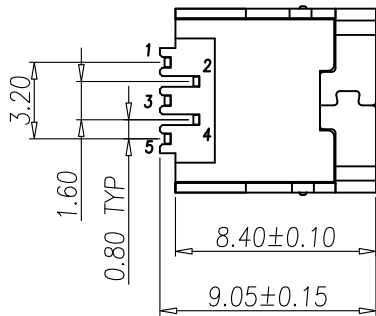
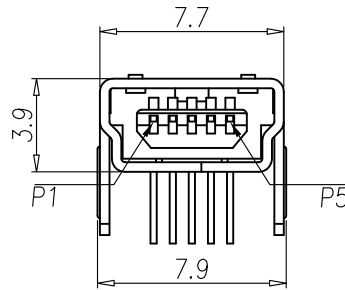
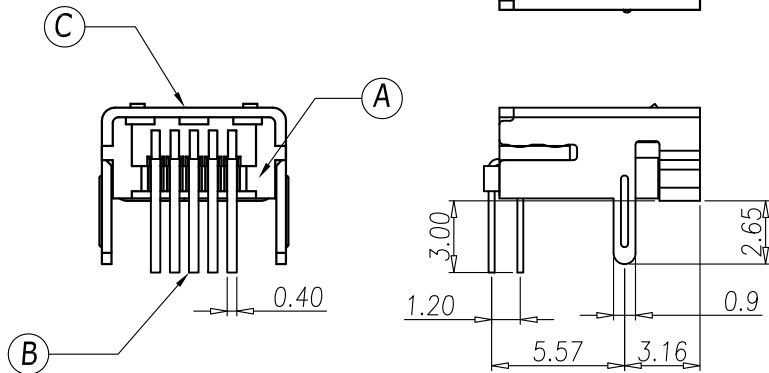
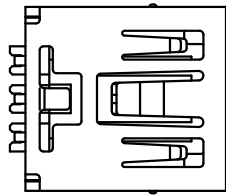


1	2	3	4	5	6	7	8	9	10
SWITCH CIRCUIT			MATERIAL AND FINISH AS BELOW						
WHEN CARD IS EJECTED		WHEN CARD IS INSERTED		A	Housing	PBT UL94V-0, Black	E		
				B	Contact	Phosphor Bronze C5191, Contact Area:Gold Flash Over Nickel	F		
				C	Shell	Brass C2680, Nickel Plated	G		
				D			H		



RECOMMEND P.C.B. LAYOUT (TOP VIEW)

**SPECIFICATION:**

**1. ELECTRICAL**

- 1.1 Current Rating: 1.0A per pin
- 1.2 Voltage Rating: 25V AC/DC
- 1.3 Contact Resistance: 50mΩ Max
- 1.4 Insulation Resistance: 1000MΩ Min
- 1.5 Dielectric Withstanding Voltage: 250VAC

**2. MECHANICAL**

- 2.1 Durability: 5000 Cycle
- 2.2 Insertion Force: 35N max.
- 2.3 Extraction Force: 7N max.

**3. ENVIRONMENTAL**

- 3.1 Operating temperature range: -25°C ~ +85°C
- 3.2 Storage temperature range: -20°C ~ +85°C

**4. SOLDER ABILITY**

- 4.1 Recommended Wave Soldering Temperature: 250°C

P1	P2	P3	P4	P5	P6	P7	P8	P9	P10	P11	P12
----	----	----	----	----	----	----	----	----	-----	-----	-----

PIN ASSIGNMENT

202H-FANO-R02 Mini USB B Receptacle ,5 pin DIP Type, Contact Area:Gold Flash

PRODUCT NO. DESCRIPTION

UNLESS OTHERWISE SPECIFIED TOLERANCE

ANGLES	ANG.	±5°
LINEAR	0.	±0.3
	0.0	±0.25
	0.00	±0.20
SCALE	AS SHOWN	UNIT: mm
DRAWN	Willis	2014/05/05
CHECKED	Angel	2014/05/05
APPROVED	Ken	2014/05/05



www.attend.com.tw

DRAWN NAME: Mini USB B Receptacle 5 pin DIP Type

PRODUCT NO. 202H-FANO-R02

3	Revise:										
2	Revise:										
1	Revise:										

REV.	DESCRIPTION	DATE	REV.	DESCRIPTION	DATE	SIZE	REV.	FILE NAME
1						A4	1.0	202H-FANO-R02_B_1