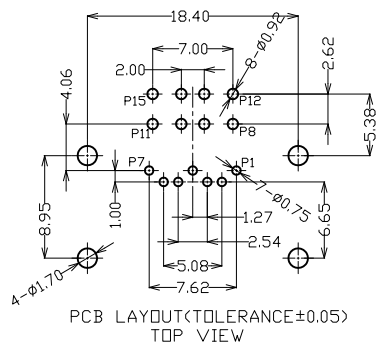
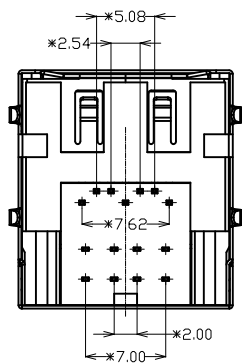
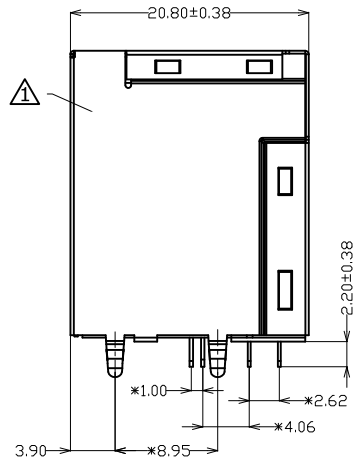
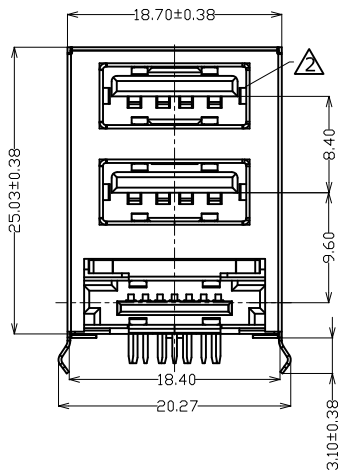


△ DATE CODE (YWWD)
 Y: 4 YEAR(2014)
 WW: WEEK(01~52)
 D: DAY(1~7)



NOTES:

1. SATA IS BASED ON SATA STANDARD SPECIFICATION;
 USB IS BASED ON SATA STANDARD SPECIFICATION;
2. DIMENSIONS ARE IN MILLIMETERS
3. SATA SPECIFICATION
 - 3-1. ELECTRICAL CHARACTER:
 - 3-1-1. CONTACT CURRENT RATING: 1.5Amps MAX PER PIN.
 - 3-1-2. CONTACT RESISTANCE: 30Milliohms MAX.
 - 3-1-3. DIELECTRIC WITHSTANDING VOLTAGE: 500Vrms AC.
 - 3-1-4. INSULATION RESISTANCE: 1000 Megohms.
 - 3-2. MECHANICAL CHARACTER:
 - 3-2-1. CONTACTOR MATING FORCE: 4.0KgF MAX.
 - 3-2-2. CONTACTOR UNMATING FORCE: 1.0KgF MIN.
 - 3-2-3. DURABILITY: 500 CYCLES.
 - 3-2-4. OPERATING TEMPERATURE: -55°C TO +105°C
4. USB SPECIFICATION
 - 4-1. ELECTRICAL CHARACTER:
 - 4-1-1. CONTACT CURRENT RATING: 1.5Amps MAX.
 - 4-1-2. CONTACT RESISTANCE: 30Milliohms MAX.
 - 4-1-3. DIELECTRIC WITHSTANDING VOLTAGE: 500Vrms AC.
 - 4-1-4. INSULATION RESISTANCE: 1000 Megohms.
 - 4-2. MECHANICAL CHARACTER:
 - 4-2-1. CONTACTOR MATING FORCE: 3.5KgF MAX.
 - 4-2-2. CONTACTOR UNMATING FORCE: 1.0KgF MIN.
 - 4-2-3. DURABILITY: 1500 CYCLES.
 - 4-2-4. OPERATING TEMPERATURE: -55°C TO +85°C
5. RECOMMENDED PROCESS:
 WAVE SOLDER PEAK UP TEMPERATURE: 245°C, 5SEC.
6. RECOMMENDED PCB THICKNESS: 1.60±0.05 mm.

USB CONTACT Finish: (C5191-H)
 NICKEL50u' UNDERPLATED OVER ALL,
 LEAD FREE TIN 100u' ALLOY PLATING
 ON SOLDER AREA,
 15u'GOLD PLATING ON CONTACT AREA

SATA CONTACT Finish: (C2680-H)
 NICKEL50u' UNDERPLATED OVER ALL,
 LEAD FREE TIN 100u' ALLOY PLATING
 ON SOLDER AREA,
 15u'GOLD PLATING ON CONTACT AREA

Product Number	Description
205G-BEN0	USBx2 + E SATA, Top Mount DIP Type ,Contact: 15u" Gold Shell: Nickel Plating

REV.	DESCRIPTION	DATE	REV.	DESCRIPTION	DATE	UNLESS OTHERWISE SPECIFIED TOLERANCE			DRAWN NAME:
						ANGLES	ANG.	±5°	
A	△ Revise: ATTEND logo, date code	2014/05/28				LINEAR	0.	±0.3	www.attend.com.tw
	△ Revise: USB spring design change	2014/05/28				SCALE	AS SHOWN	UNIT: mm	
	△ Revise: Shell, change material SUS430	2014/04/17				DRAWN	Willis	2014/05/28	Dual USB With E SATA Receptacle
						CHECKED	Angel	2014/05/28	
						APPROVED	Ken	2014/05/28	PRODUCT NO.
									205G-BEN0
									FILE NAME
									205G-BEN0_B_3



www.attend.com.tw



SIZE A4

REV. 1.0