


6	HOUSING	HIGH TEMPERATURE THERMOPLASTICS	UL94V-0 COLOR:BLUE
5	SPACER	HIGH TEMPERATURE THERMOPLASTICS	UL94V-0 COLOR:BLUE
4	SHELL	COPPER ALLOY T=0.30mm	OVEP-PLATING:Ni 30u"
3	COVER SHELL	SPCC T=0.30mm	OVEP-PLATING:Ni 80u"
2	5P TERMINAL	COPPER ALLOY T=0.20mm	UNDER-PLATING:Ni 30u" SOLDER AREA:Sn 120u" CONTACT AREA:SEE NOTE
1	2P TERMINAL	COPPER ALLOY T=0.25mm	UNDER-PLATING:Ni 30u" SOLDER AREA:Sn 120u" CONTACT AREA:SEE NOTE

UNLESS OTHERWISE SPECIFIED TOLERANCE		
ANGLES	ANG.	±5°
LINEAR	0.	±0.3
	0.0	±0.25
	0.00	±0.20
SCALE	AS SHOWN	UNIT: mm
DRAWN	Willis	2012/08/03
CHECKED	Angel	2012/08/03
APPROVED	Ken	2012/08/03



ATTEND

www.attend.com.tw

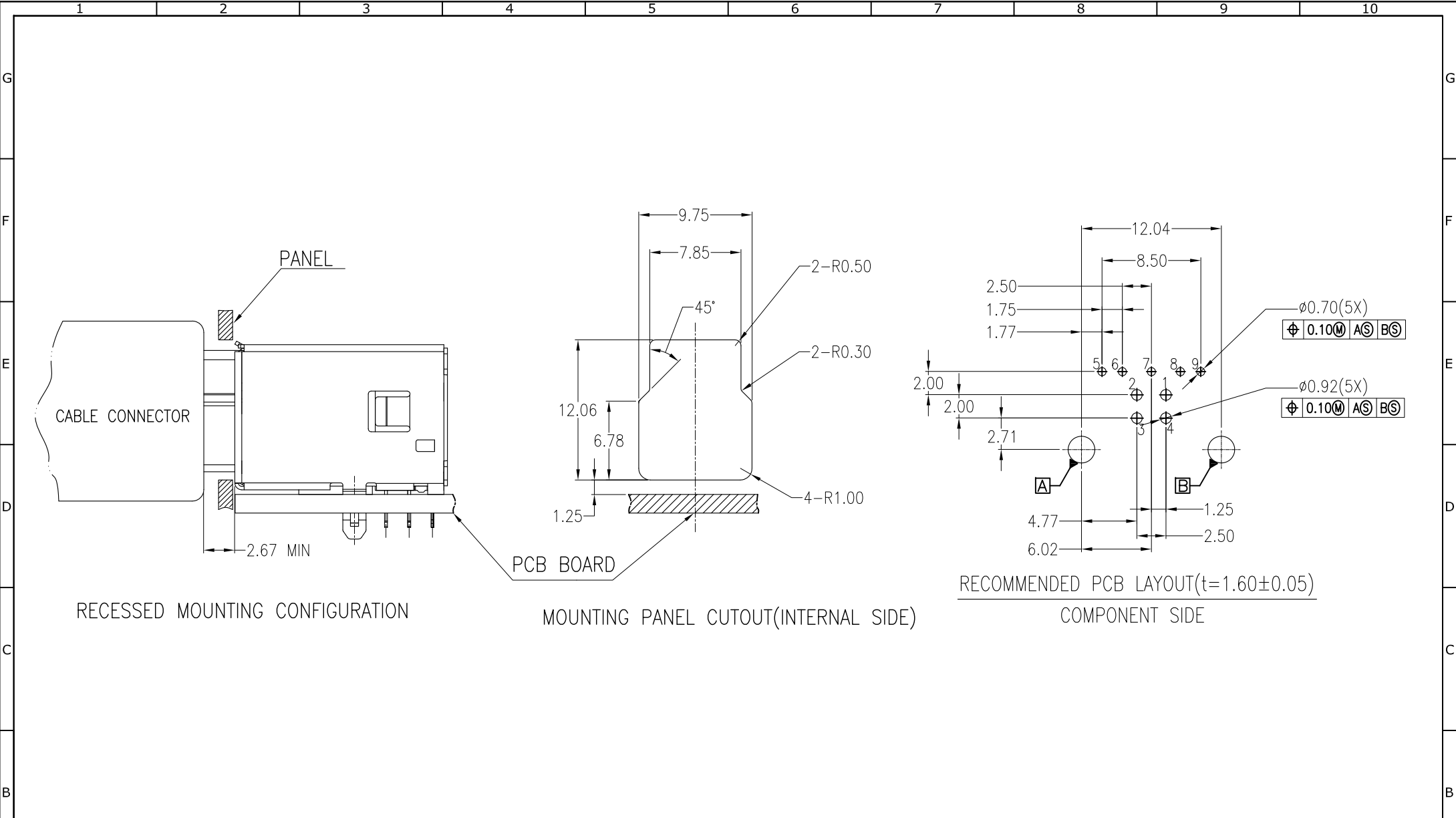
DRAWN NAME: USB3.0 B Receptacle Dip Standard Type

PRODUCT NO. 209D-DG01

FILE NAME 209D-DG01_B_3

REV.	DESCRIPTION	DATE	REV.	DESCRIPTION	DATE	SIZE	REV.	FILE NAME
1			4			A4	1.0	209D-DG01_B_3

- ③ Revise:
- ② Revise:
- ① Revise:



RECOMMENDED PCB LAYOUT(t=1.60±0.05)

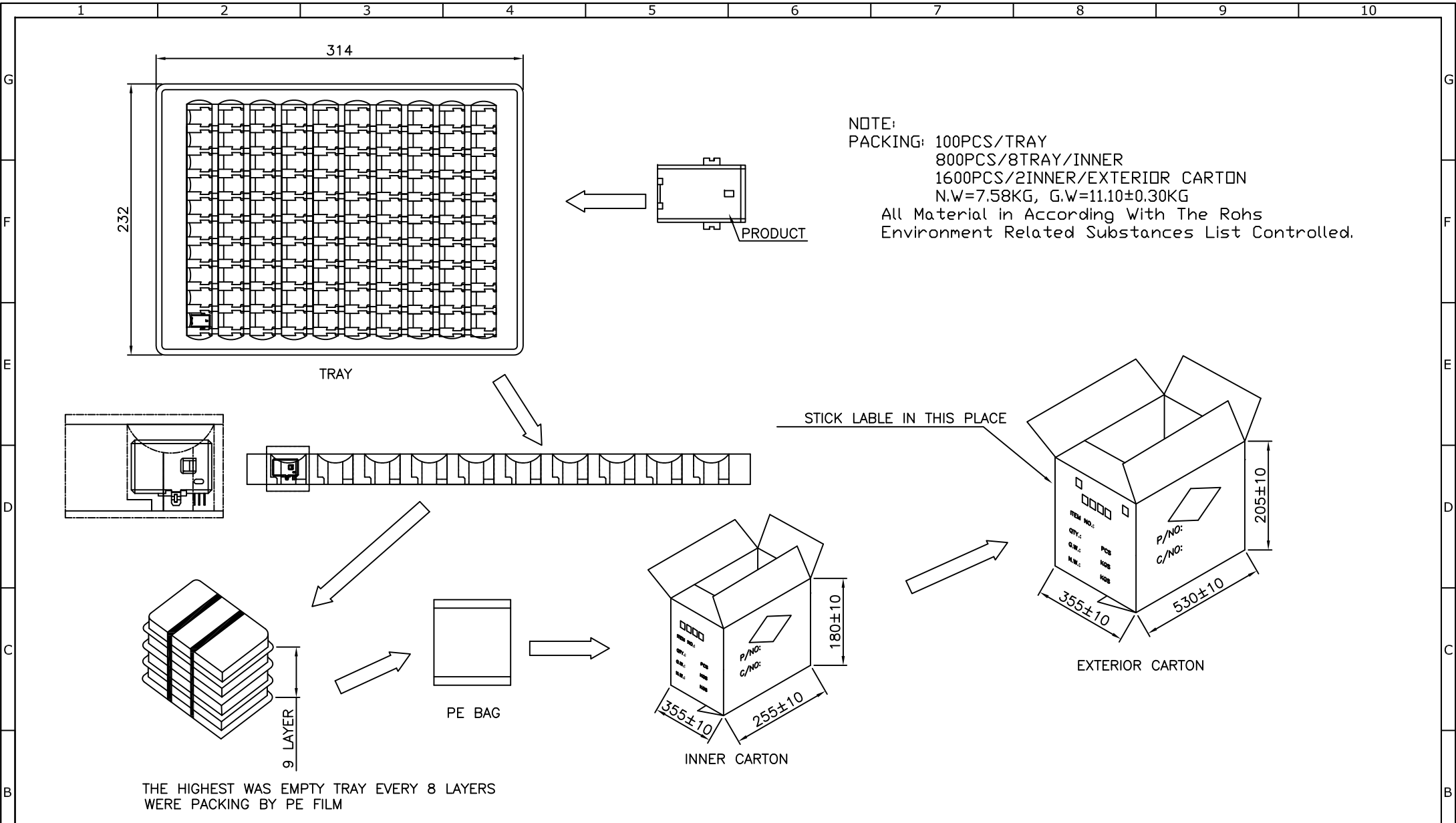
REV.	DESCRIPTION	DATE	REV.	DESCRIPTION	DATE	SIZE	REV.	FILE NAME
1			4			A4	1.0	209D-DG01_B_3
2			5					
3			6					

UNLESS OTHERWISE SPECIFIED TOLERANCE		
ANGLES	ANG.	±5°
LINEAR	0.	±0.3
	0.0	±0.25
	0.00	±0.20
SCALE	AS SHOWN	UNIT: mm

	www.attend.com.tw
DRAWN Willis	2012/08/03
CHECKED Angel	2012/08/03
APPROVED Ken	2012/08/03
PRODUCT NO.	209D-DG01
FILE NAME	209D-DG01_B_3


A

A



NOTE:
 PACKING: 100PCS/TRAY
 800PCS/8TRAY/INNER
 1600PCS/2INNER/EXTERIOR CARTON
 N.W=7.58KG, G.W=11.10±0.30KG
 All material in accordance with The RoHS
 Environment Related Substances List Controlled.

THE HIGHEST WAS EMPTY TRAY EVERY 8 LAYERS
 WERE PACKING BY PE FILM

						UNLESS OTHERWISE SPECIFIED TOLERANCE			 www.attend.com.tw	
						ANGLES	ANG.	±5°		
						LINEAR	0.	±0.3		
							0.0	±0.25		
						0.00	±0.20			
						SCALE	AS SHOWN	UNIT: mm		
						DRAWN	Willis	2012/08/03	DRAWN NAME:	
						CHECKED	Angel	2012/08/03	USB3.0 B Receptacle Dip Standard Type	
						APPROVED	Ken	2012/08/03	PRODUCT NO.	209D-DG01
REV.	DESCRIPTION		DATE	REV.	DESCRIPTION		DATE	SIZE	REV.	FILE NAME
1				4				A4	1.0	209D-DG01_D_2

- △ Revise:
- △ Revise:
- △ Revise: