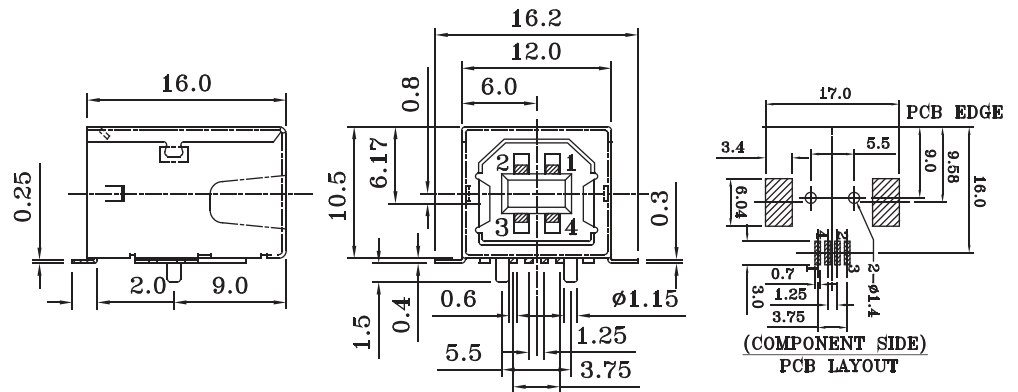
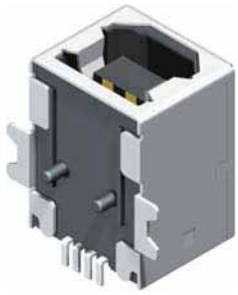


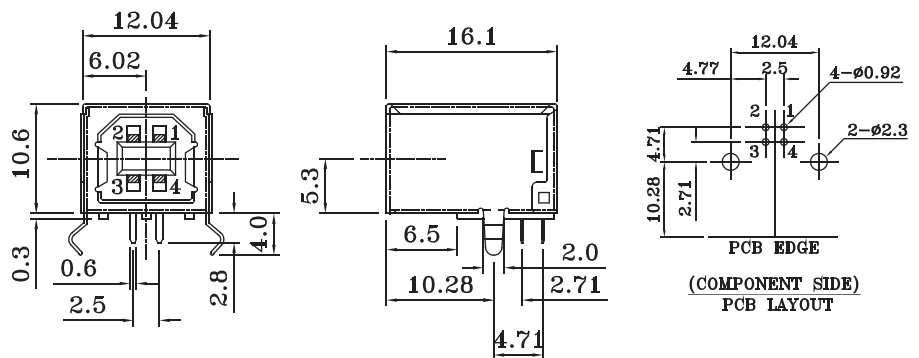
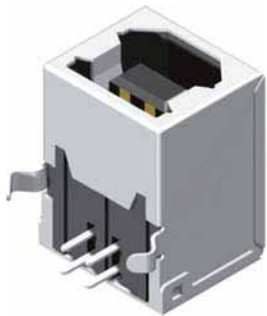
USBB-1FSMT

USB Female SMT 90° B type



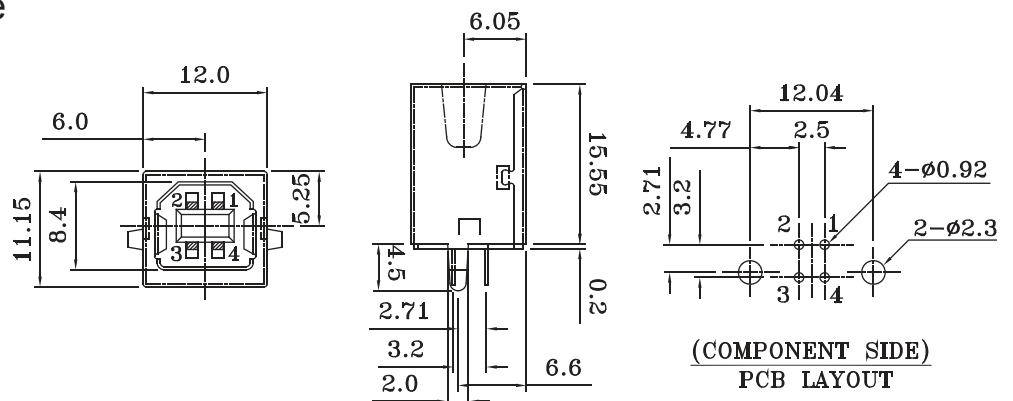
USBB-1F

USB Female DIP 90° B type



USBB-1FV

USB Female DIP B type



Features

Housing: Nylon 9T G.F.
Finish: Black/White

Pin term.: Copper Alloy T: 0.25
Finish: Gold/Tin Plated

Shell: Brass T: 0.3
Finish: Nickel Plated