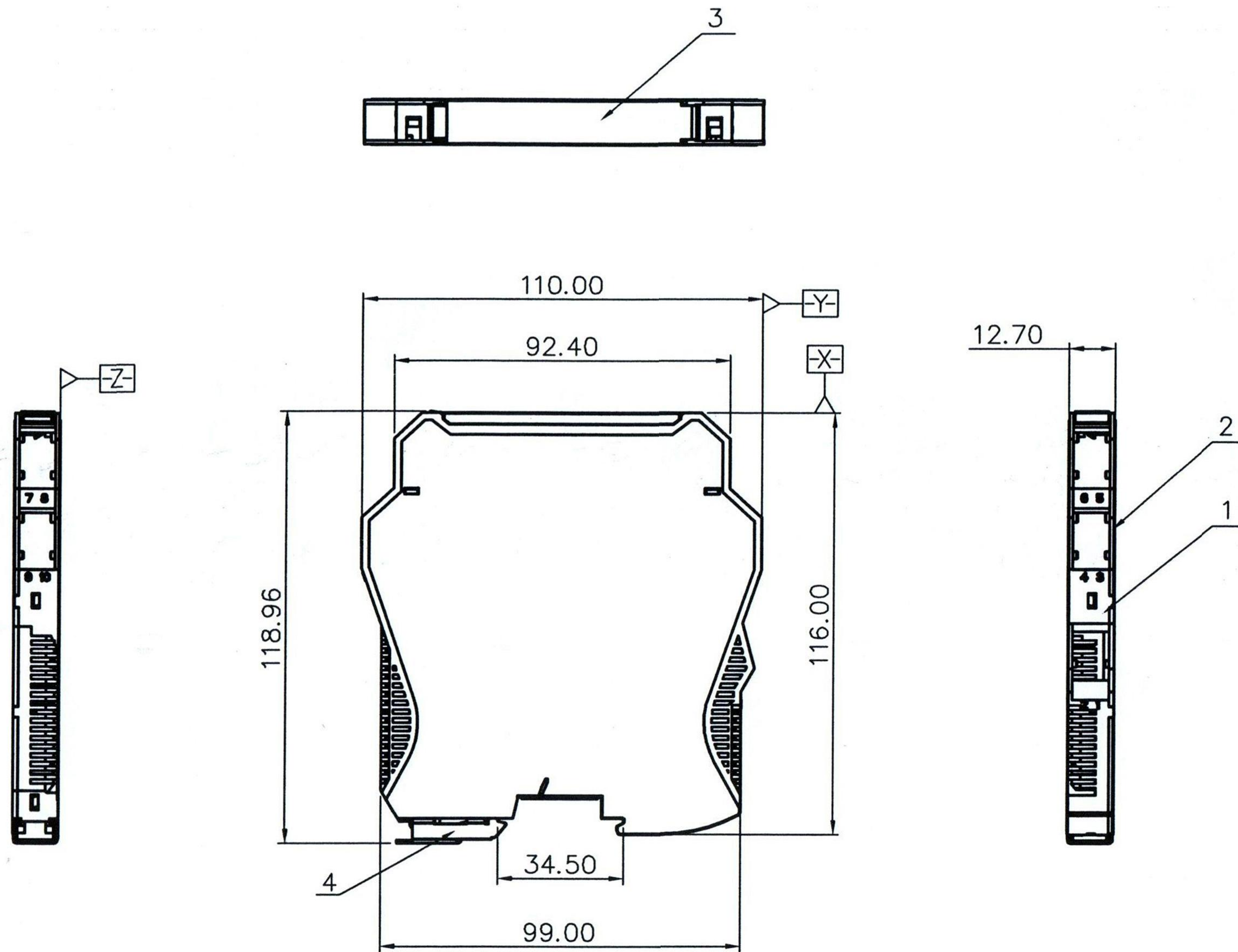


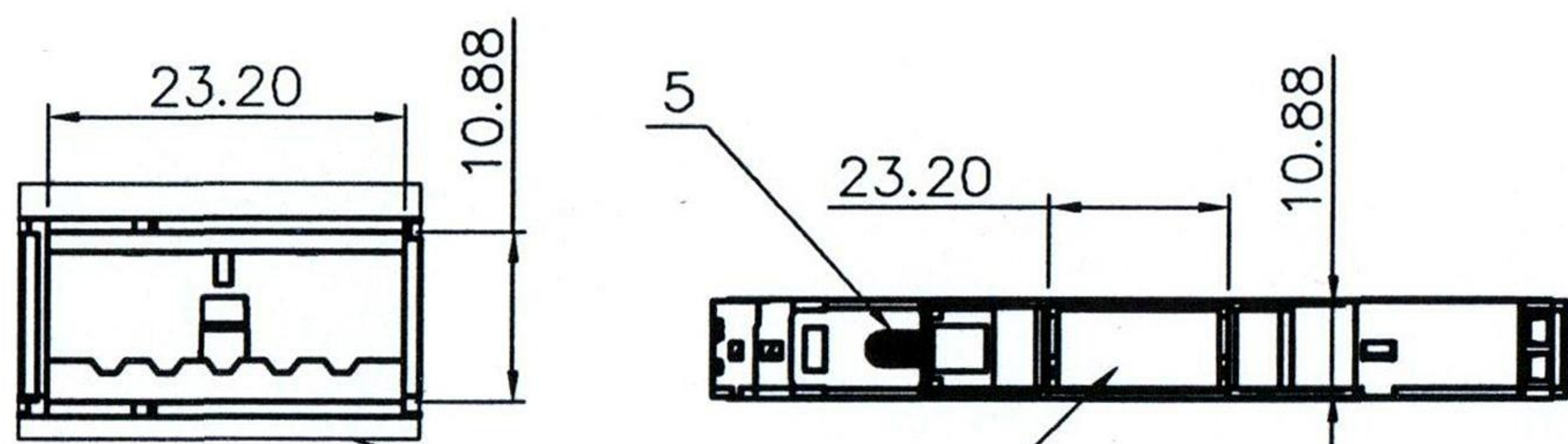
REVISION RECORD				
REV	ECN	DESCRIPTION	DRFT	DATE



NOTES2:

- Housing: PA66 UL94V-0
- Operating temperature: -40°C~+105°C
- Standard color number: PANTONE 431U
- Undimensioned tolerances:

Pitch range in mm		Nominal dimension range in mm						-	∩	∇
TO	Over	Over	TO	Over	Over	Over	Over	0.1/10		
6	6 TO 10	10 TO 24	30	30 TO 60	60 TO 100	100 TO 150	150	<		
±0.15	±0.20	±0.30	±0.30	±0.50	±0.70	±1.00	±1.30	±2*		



Enlarge figure after removing dust control module

FMED - 02P - 11 - 01A (H)  
 (RoHS)  
 01A-(Customer Request)  
 (Series No.)(Poles)(Single Pitch) (Color):1.(Grey)

ITEM	NAME OF PART	MATERIAL	NOTES
5	Spring	Spring Steel	Ni Plated
4	Fixer	Steel	Zn Plated
3	Cover	PC	UL94V-2
2	Housing-2	PC	UL94V-2
1	Housing-1	PC	UL94V-2

DETACHED LISTS	PART NO.: /	宁波高松电子有限公司 NINGBO DEGSON ELECTRICAL CO., LTD		
	APPD:	NAME: FMED-02P-11-01A(H)		
	CHKD: Frank 02/09-17"	DRFT: WJQ 02/08/17"		
	DRFT: WJQ 02/08/17"	TITLE: CUSTOMER DRAWING	REV: D0-1	SHEET: 1/1
THIRD ANGLE PROJECTION		DRAWING NO.: FMED-02P-C03	SCALE: 1:1	DO NOT SCALE DRAWING