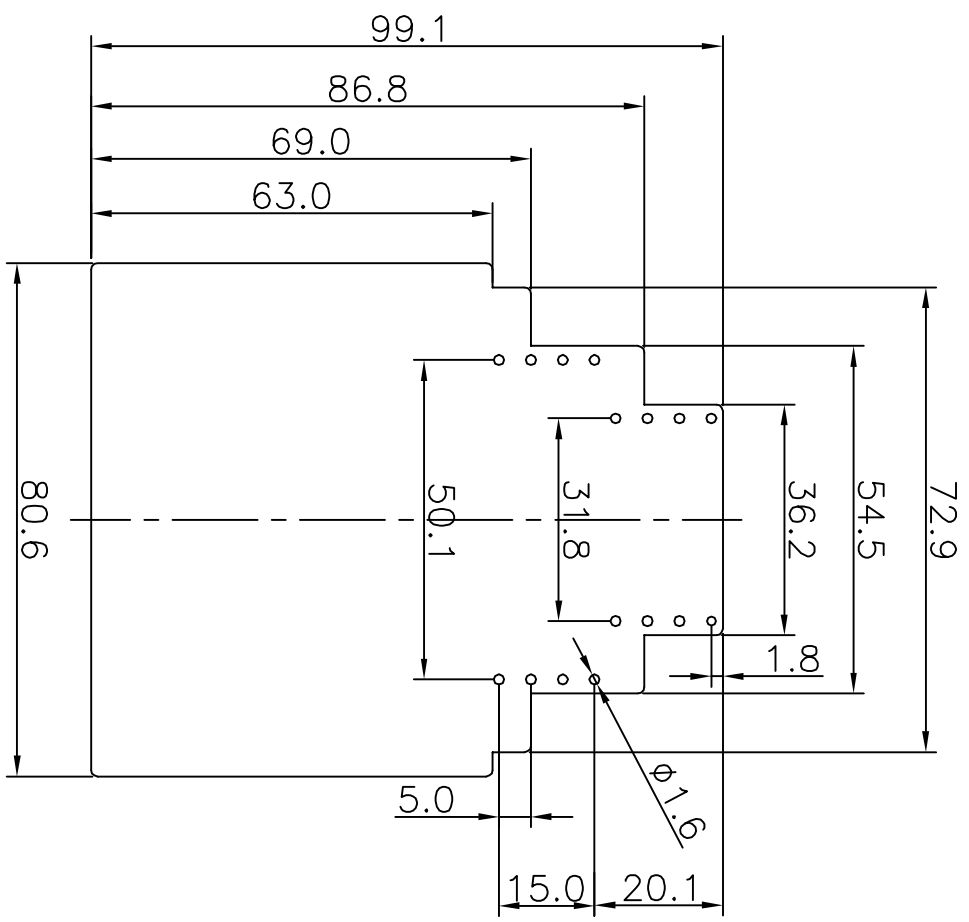


REVISION RECORD			
REV	ECO	DESCRIPTION	DRFT DATE



PCB LAYOUT

8 7 6 5 4 3 2 1

ITEM	NAME OF PART	NO. OF PART	Q'TY	MATERIAL	NOTES

DETACHED LISTS														
<table border="1"> <tr> <th>UNIT</th> <th>MIN</th> <th>MAX</th> </tr> <tr> <td>(INCH)</td> <td> </td> <td> </td> </tr> </table>	UNIT	MIN	MAX	(INCH)			<table border="1"> <tr> <th>DATE</th> <th>DATE</th> </tr> <tr> <td>11/24/10</td> <td> </td> </tr> </table>	DATE	DATE	11/24/10				
UNIT	MIN	MAX												
(INCH)														
DATE	DATE													
11/24/10														
<table border="1"> <tr> <th>MM</th> <th>±</th> <th>±</th> </tr> <tr> <td>0.0 ±</td> <td> </td> <td> </td> </tr> <tr> <td>0.00 ±</td> <td> </td> <td> </td> </tr> </table>	MM	±	±	0.0 ±			0.00 ±			<table border="1"> <tr> <th>DATE</th> <th>DATE</th> </tr> <tr> <td> </td> <td> </td> </tr> </table>	DATE	DATE		
MM	±	±												
0.0 ±														
0.00 ±														
DATE	DATE													
<table border="1"> <tr> <th>APPROV</th> <th>DATE</th> </tr> <tr> <td> </td> <td> </td> </tr> </table>	APPROV	DATE			<table border="1"> <tr> <th>DATE</th> <th>DATE</th> </tr> <tr> <td> </td> <td> </td> </tr> </table>	DATE	DATE							
APPROV	DATE													
DATE	DATE													
<table border="1"> <tr> <th>ANGLES ± 1°</th> <th>±</th> </tr> <tr> <td> </td> <td> </td> </tr> </table>	ANGLES ± 1°	±			<table border="1"> <tr> <th>DATE</th> <th>DATE</th> </tr> <tr> <td> </td> <td> </td> </tr> </table>	DATE	DATE							
ANGLES ± 1°	±													
DATE	DATE													
<table border="1"> <tr> <th>THIRD ANGLE PROJECTION</th> <th>SCALE : 1:1</th> </tr> <tr> <td> </td> <td> </td> </tr> </table>	THIRD ANGLE PROJECTION	SCALE : 1:1			<table border="1"> <tr> <th>DATE</th> <th>DATE</th> </tr> <tr> <td> </td> <td> </td> </tr> </table>	DATE	DATE							
THIRD ANGLE PROJECTION	SCALE : 1:1													
DATE	DATE													

<table border="1"> <tr> <th>FINISH :</th> <th>G.E. :</th> </tr> <tr> <td> </td> <td> </td> </tr> </table>	FINISH :	G.E. :			<table border="1"> <tr> <th>NAME</th> <th>DATE</th> </tr> <tr> <td> </td> <td> </td> </tr> </table>	NAME	DATE				
FINISH :	G.E. :										
NAME	DATE										
<table border="1"> <tr> <th>DRAWING NO. FMET</th> <th>SIZE</th> </tr> <tr> <td> </td> <td>A4</td> </tr> </table>	DRAWING NO. FMET	SIZE		A4	<table border="1"> <tr> <th>REV</th> <th>DATE</th> </tr> <tr> <td>10-1</td> <td>09/15/10</td> </tr> </table>	REV	DATE	10-1	09/15/10		
DRAWING NO. FMET	SIZE										
	A4										
REV	DATE										
10-1	09/15/10										
<table border="1"> <tr> <th>DO NOT SCALE DRAWING</th> <th>SHEET 1</th> <th>OF 1</th> </tr> <tr> <td> </td> <td> </td> <td> </td> </tr> </table>	DO NOT SCALE DRAWING	SHEET 1	OF 1				<table border="1"> <tr> <th>NAME</th> <th>DATE</th> </tr> <tr> <td> </td> <td> </td> </tr> </table>	NAME	DATE		
DO NOT SCALE DRAWING	SHEET 1	OF 1									
NAME	DATE										

DEGSON 宇波捷正电子有限公司
DEGSON ELECTRONICS CO., LTD

NAME
FMET-PCB