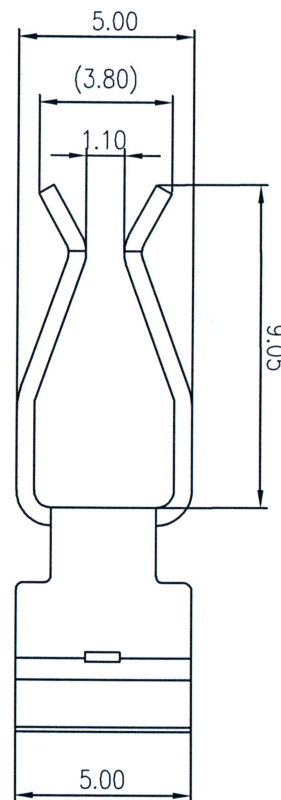
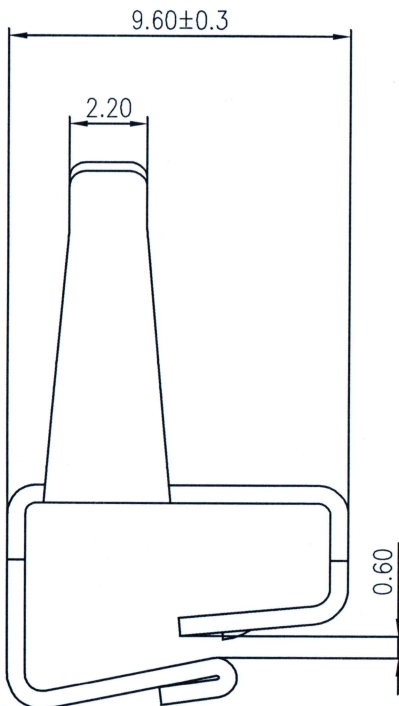
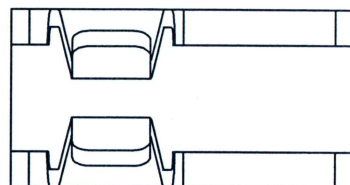


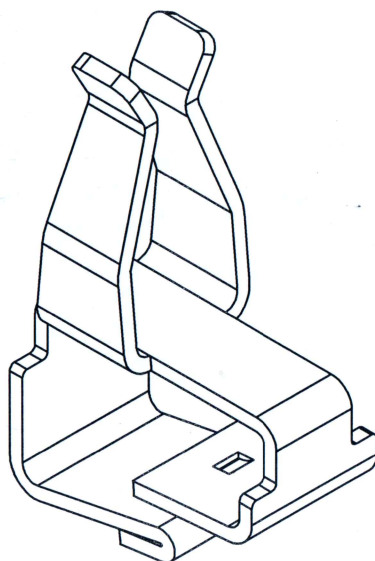
Transfer or duplication of this document as well as the utilization or communication of its contents are prohibited unless explicit authorization is granted. Violations will be liable for compensation. All rights reserved for patent, utility model or designs registrations. 除非给予明确授权，否则禁止转让、复制、利用、交基本文件的内容，侵犯者将负法律责任。本公司保留部分涉及及发明、实用新型和外观设计的所有权利。

未注公差/General tolerances(mm)											0.1/10		
0	>3	>6	>10	>18	>30	>50	>80	>120	>180	>250		>315	>400
~3	~6	~10	~18	~30	~50	~80	~120	~180	~250	~315	~400	~500	~500
±0.12	±0.18	±0.22	±0.26	±0.31	±0.37	±0.57	±0.80	±0.93	±1.05	±1.15	±1.60	±2.20	±2.50

技术要求/technical requirements:	
毛边量/Burrs on edges	≤0.08mm
电镀表面/Electroplated surface	ISO 2093
环保要求/Environmental protection requirements	<input type="checkbox"/> RoHS <input checked="" type="checkbox"/> RoHS2.0(Pb<1000ppm)



Please refer to the 3D model, for these unmarked dimensions.



仅供参考图
 签字: 李娟芳
 日期: 2020.2.10

REV	ECN	DESCRIPTION	DRFT	DATE

MATERIAL: C51900(QSn6.5-0.1)		SURFACE: Ep-Cu/Ni0.3~1/Sn4~8b	
MAT NO.: 13022000081	宁波高松电子有限公司 NINGBO DEGSON ELECTRICAL CO., LTD	NAME: FMET-PE	
STATUS: /		DRAWING NO.: 200014206	
APPD:		TYPE: CUSTOMER DRAWING	SCALE: 1:1
CHKD:	DRFT: Wang LX 2021.09.18	SHEET 1/1	