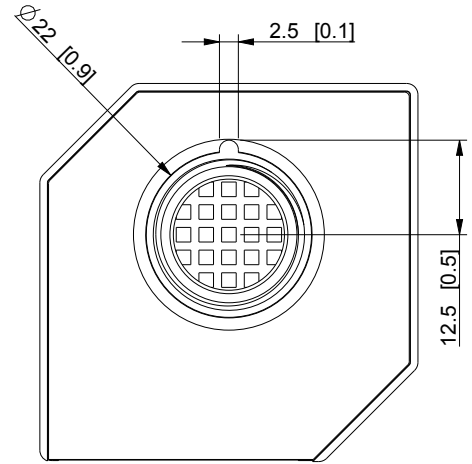
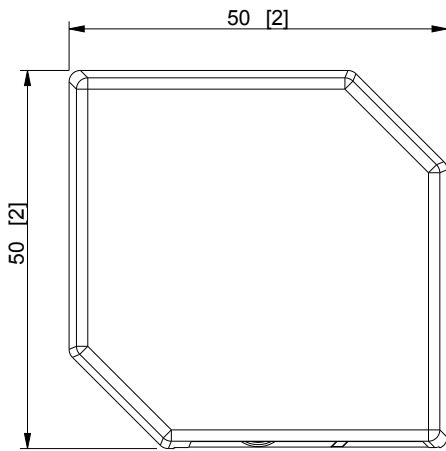
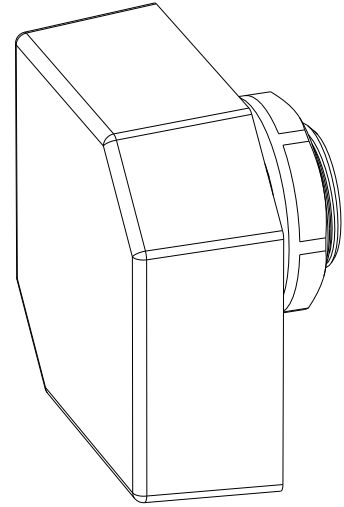
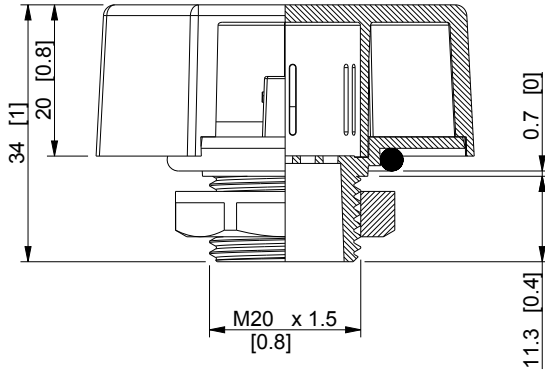

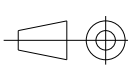


ID	Description	Date	By	Appr.
A				



Dimensions in mm [inches]

model BVD22\_VENTILATION\_DEVICE\_PART  
drawing BVD22\_DRAWING

Material: PBT+PC		Color:	
Supplier:		Tool No:	
 Ensto Industrial Solutions			
Scale		Date	
1:1		23.10.13	
-		By	
-		PKos	
-		Checked	
-		Ctrl	
Weight [kg]: 0.02		Volume:	
<h1>BVD22</h1>		Replaces:	
		Replaced:	
		Drw No: A	
		Ref:	
		Code: BVD22	
Sheet No:			