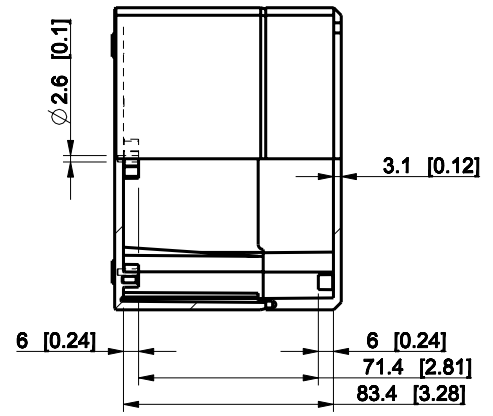
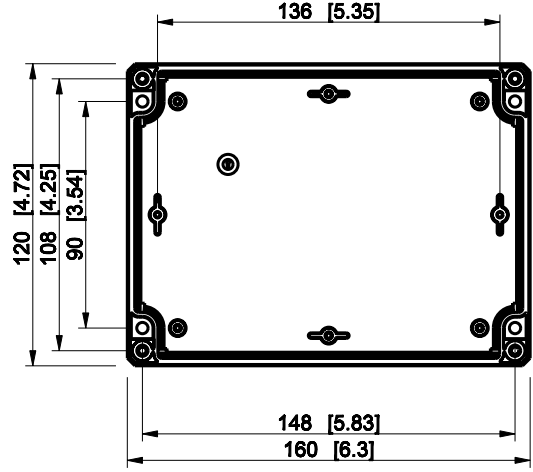
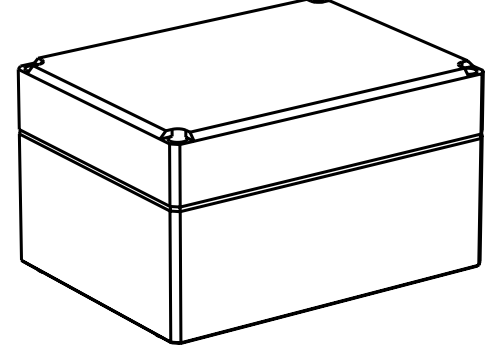
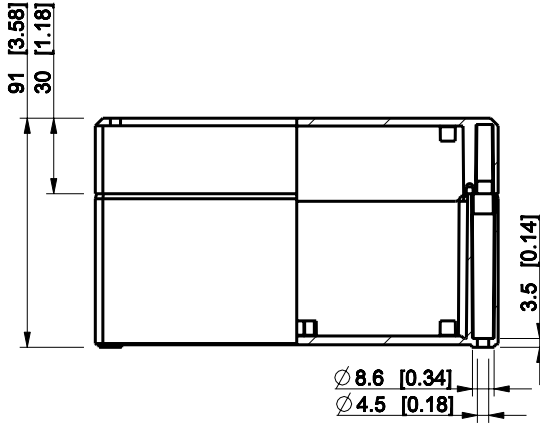


ID	Description	Date	By	Appr.
A				



Dimensions in mm [inches]

Material: ABS	Color: RAL 7035
---------------	-----------------

Supplier:	Tool No:	Weight [kg]: 0.36	Volume:
-----------	----------	-------------------	---------



**DABP121609G**

Scale	Date	18.12.08
1:3	By	PKos
-	Checked	
-	Ctrl	

Replaces:	
Replaced:	
Drw No:	A
Ref:	-
Code:	DABP121609G
Sheet No:	

model DABP121609G PART  
 drawing CUBO\_D\_2\_DRAWING