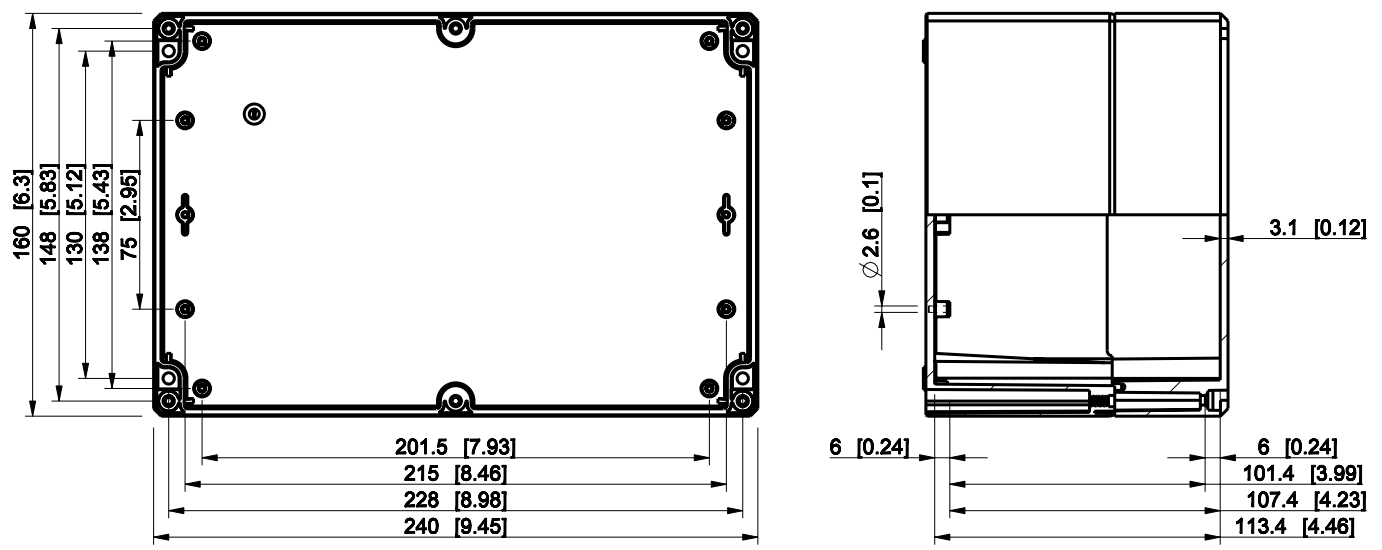
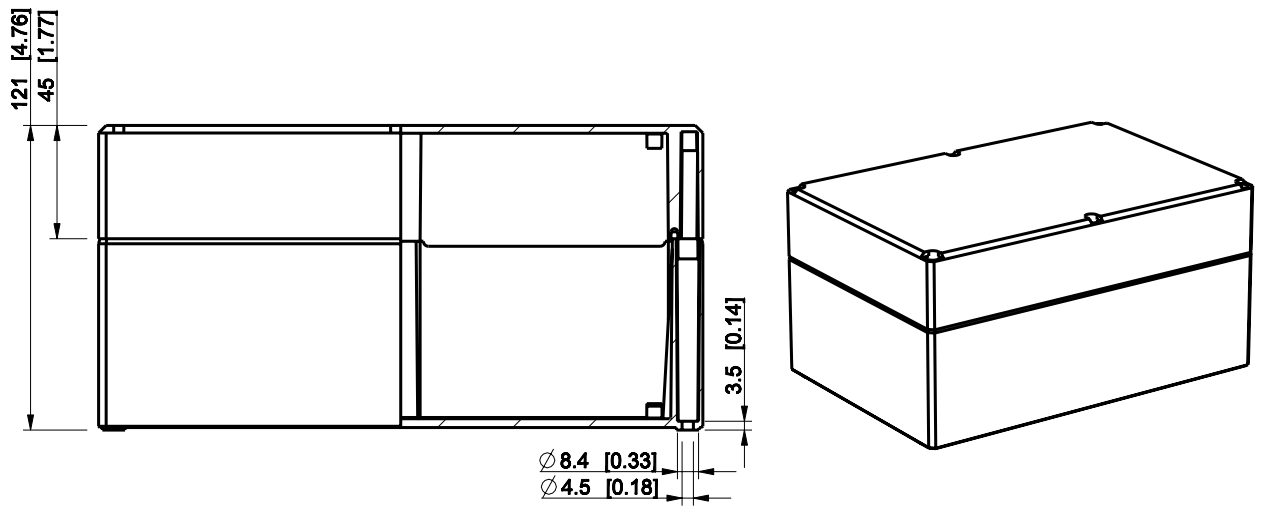


ID	Description	Date	By	Appr.
A				



Dimensions in mm [inches]

Material: ABS	Color: RAL 7035
---------------	-----------------

Supplier:	Tool No:	Weight [kg]: 0.73	Volume:
-----------	----------	-------------------	---------



DABP162412T

Scale	Date	18.12.08
1:3	By	PKos
-	Checked	
-	Ctrl	

Replaces:	
Replaced:	
Drw No:	A
Ref:	-
Code:	DABP162412T
Sheet No:	

model DABP162412T PART
 drawing CUBO_D DRAWING