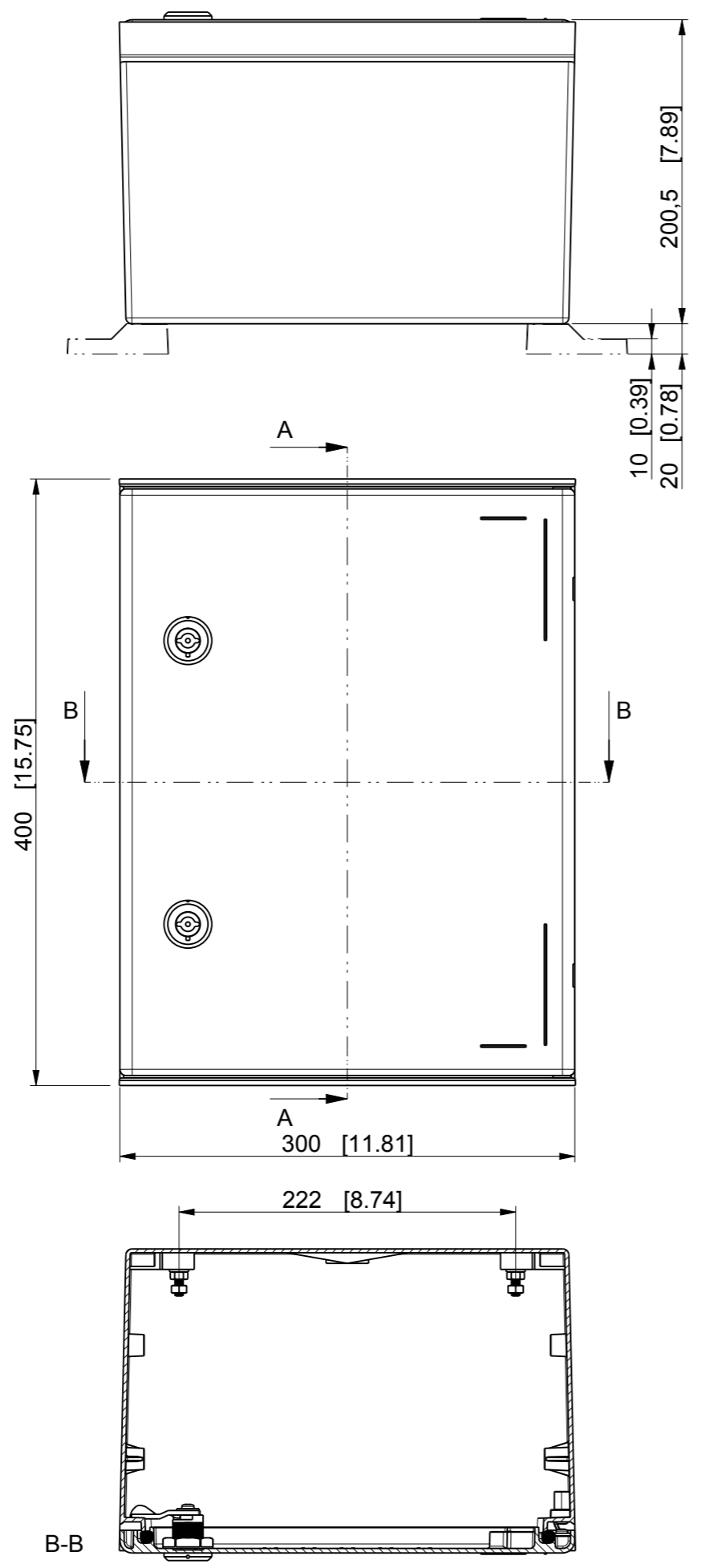
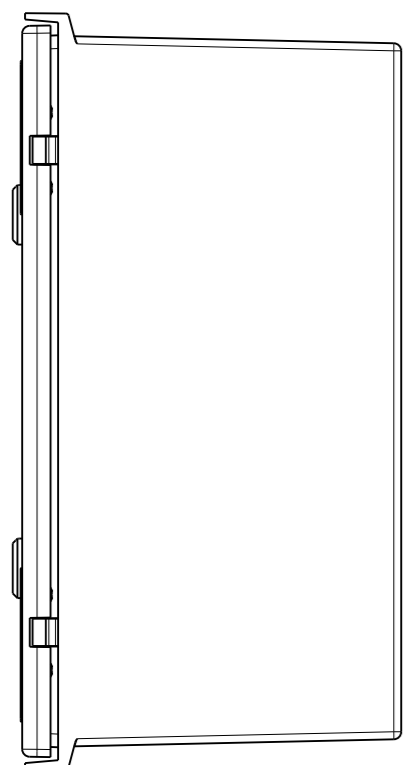


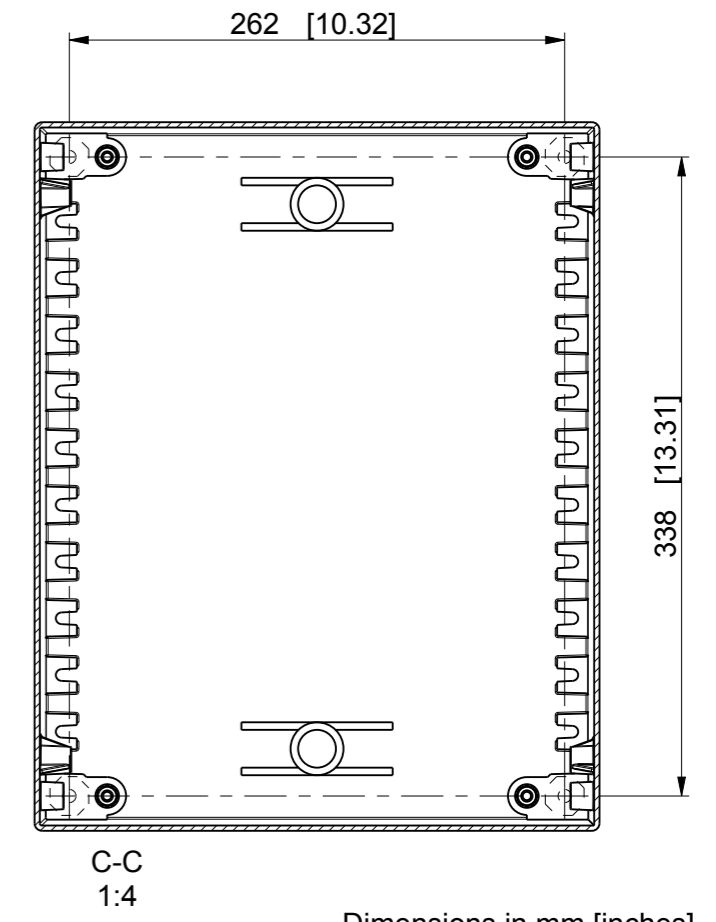
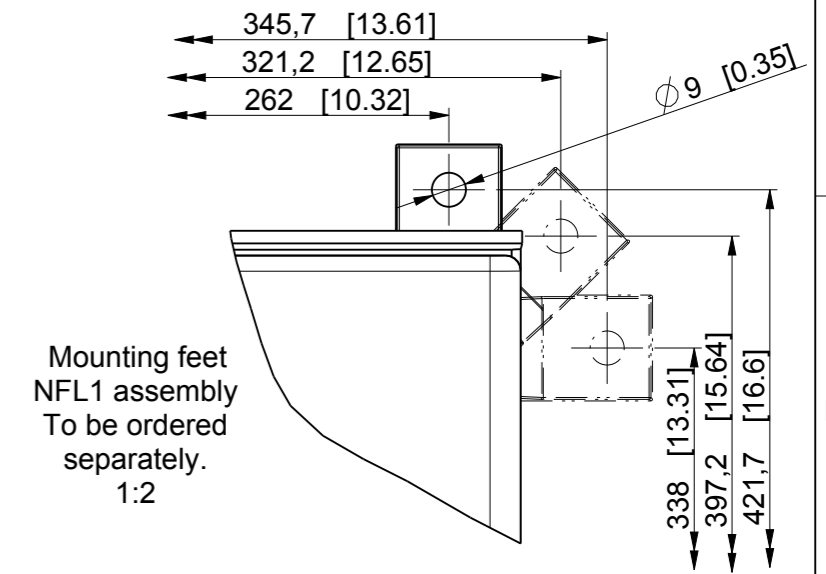
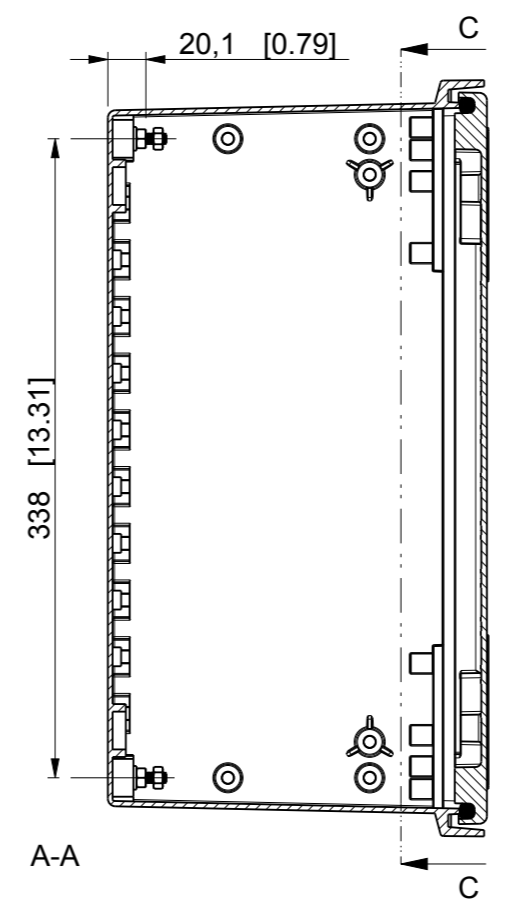
Model: NGRP304020_NFL_{chw}
 Drawing: NGRP304020_NFL_{chw}

>0,5 =3 ±0,1	>6 =30 ±0,2	>30 =120 ±0,3	>120 =400 ±0,5	>400 =1000 ±0,8
-----------------	----------------	------------------	-------------------	--------------------

Tolerance
ISO 2768-m



ID	Description	Date	By	Appr.
A				



Dimensions in mm [inches]

Supplier: -	Tool No: -	Volume: -	Weight [g]: 0
Material: Glass reinforced polyester		Ensto Mat:	
 ENSTO Ensto Finland Oy Ensto Electrification		Replaces: Replaced: Drw No: A Ref: Cubo N Code: NGRP304020	
Scale: 1:4	Date: 25.11.2016	NGRP304020	
A3	By: KA		
Sheet No: 1 (1)	Checked:		
	Ctrl:		