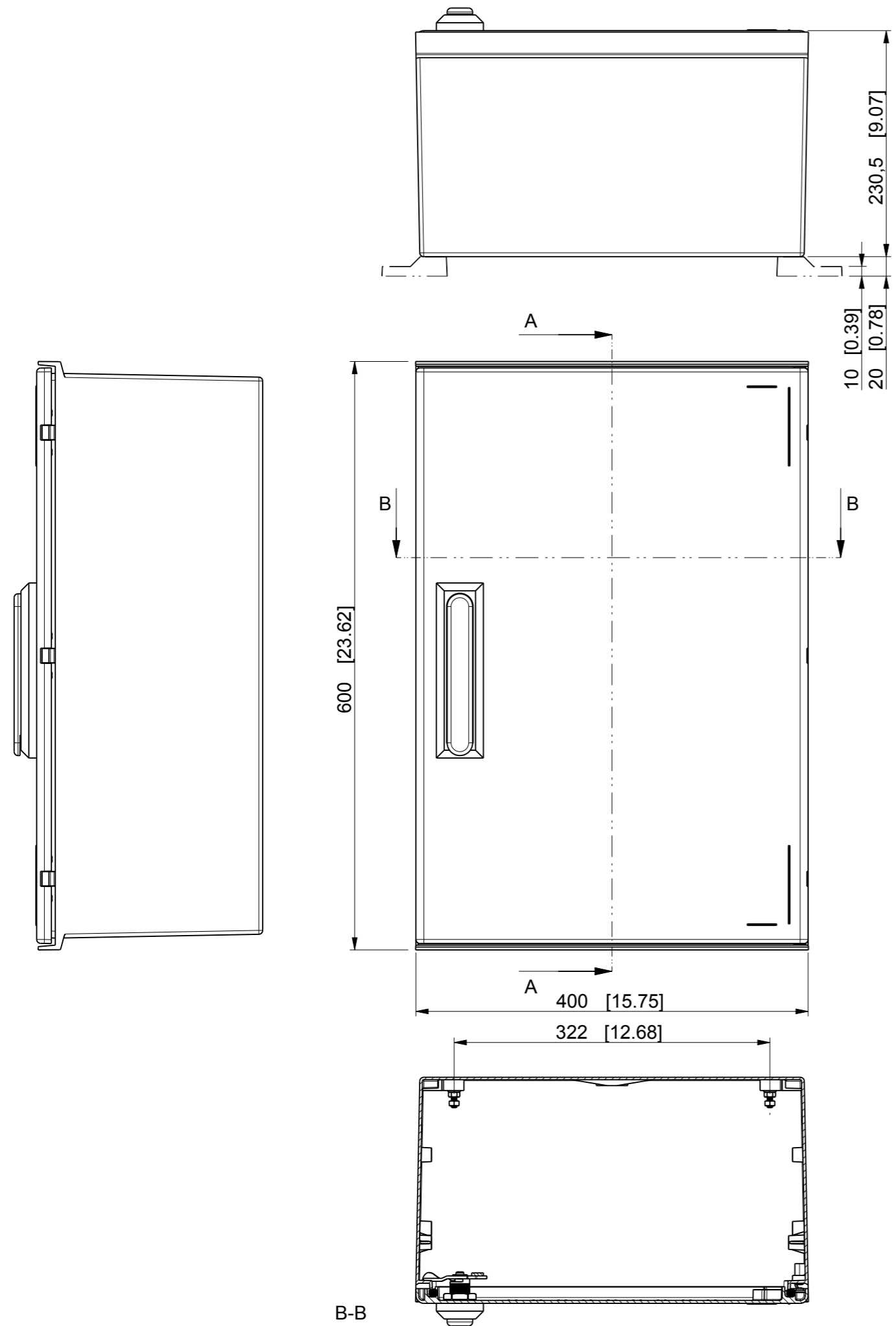
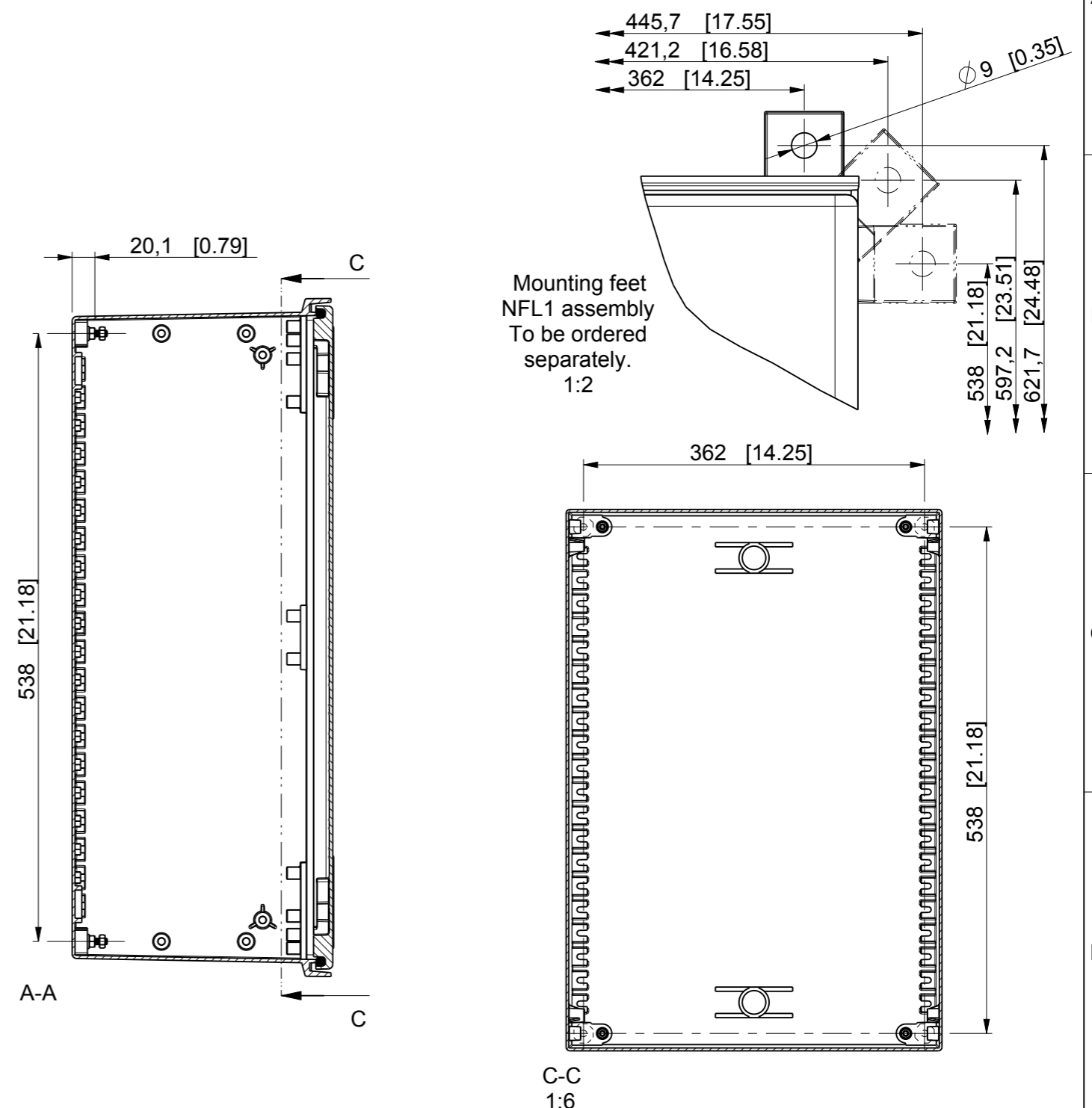


Model: NGRP406023P3SH_NFL1.dwg
 Drawing: NGRP406023P3SH_NFL1.dwg
 Tolerance ISO 2768-m
 >0,5 =3 ±0,1
 >6 =6 ±0,1
 >30 =120 ±0,3
 >120 =400 ±0,5
 >400 =1000 ±0,8



ID	Description	Date	By	Appr.
A				



Dimensions in mm [inches]

Supplier: -	Tool No: -	Volume: -	Weight [g]: 0
Material: Glass reinforced polyester		Ensto Mat:	
 ENSTO Ensto Finland Oy Ensto Electrification		NGRP406023P3SH Replaces: Replaced: Drw No: A Ref: Cubo N Code: NGRP406023P3SH	
Scale: 1:5	Date: 29.11.2016		
A3	By: KA		
Sheet No: 1 (1)	Checked:		
	Ctrl:		