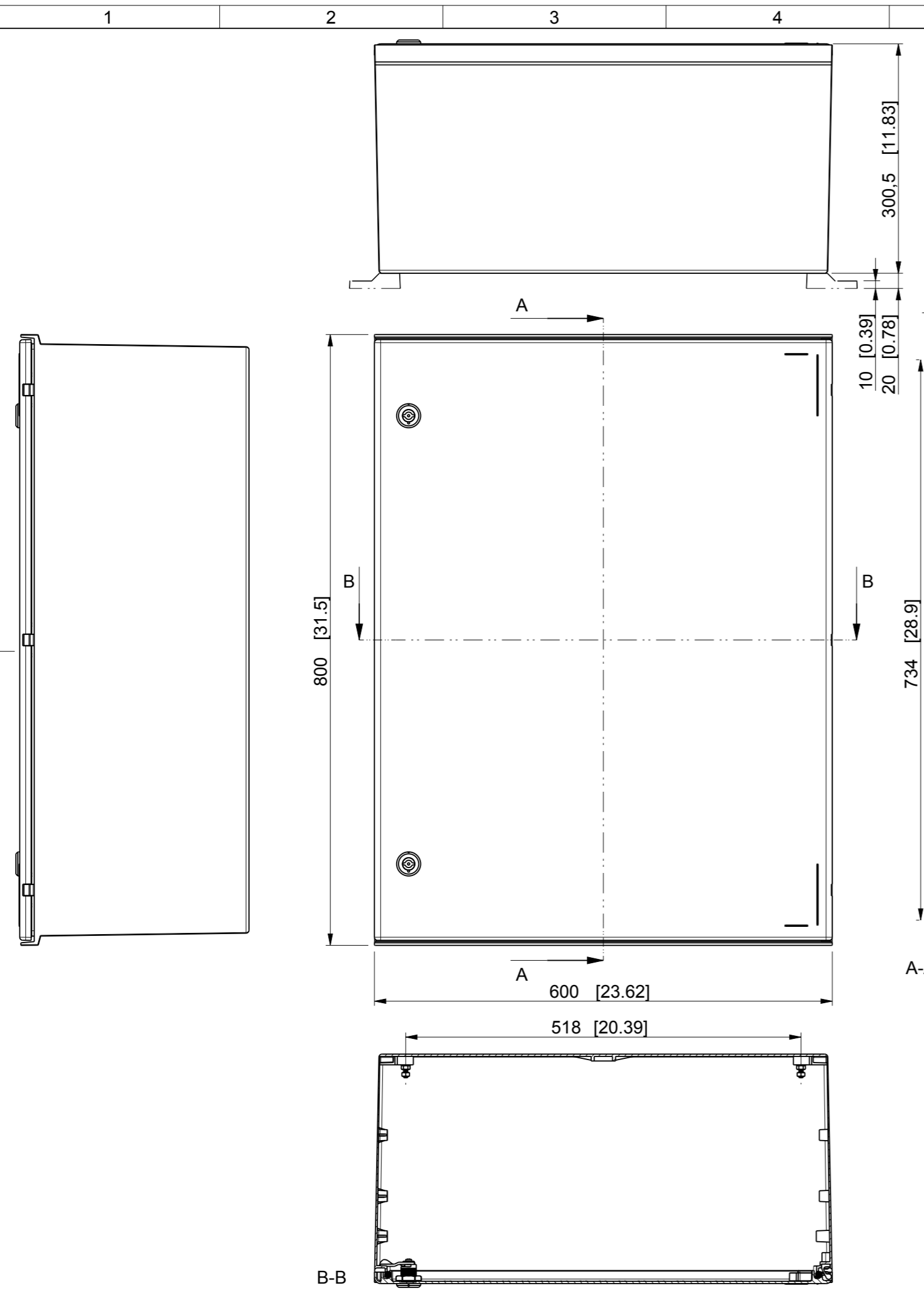
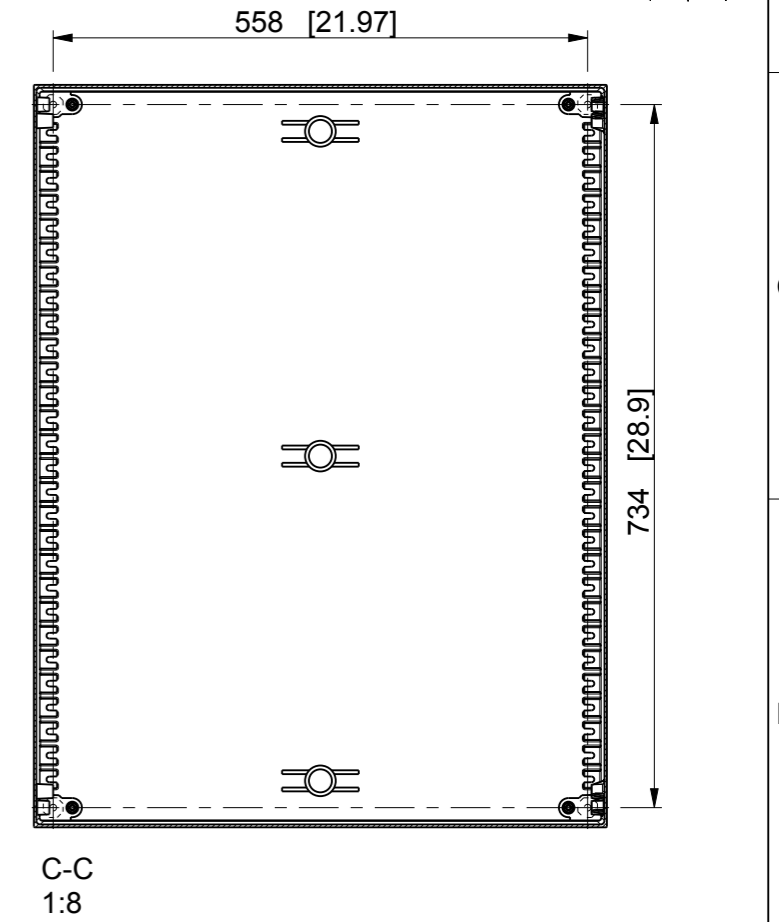
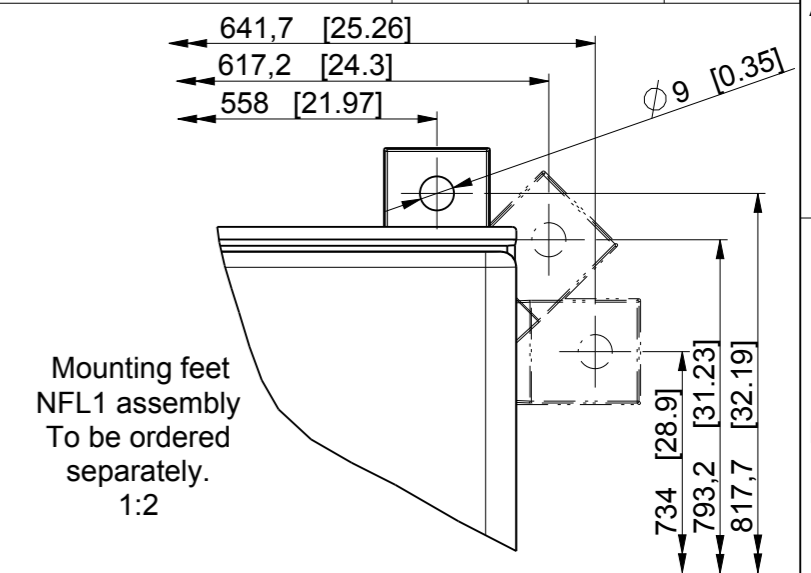


Model: NGRP608030_NFL1.dwg
 Drawing: NGRP608030_NFL1.dwg
 Tolerance ISO 2768-m
 >0,5 =3 ±0,1
 >6 =6 ±0,1
 >6 =30 ±0,2
 >30 =120 ±0,3
 >120 =400 ±0,5
 >400 =1000 ±0,8



ID	Description	Date	By	Appr.
A				



Dimensions in mm [inches]

Supplier:	Tool No:	Volume	Weight [g]	0
Material: Glass reinforced polyester		Ensto Mat:		
 ENSTO Ensto Finland Oy Ensto Electrification		NGRP608030		
Scale	Date	Replaces:		
1:6	25.11.2016	Replaced:		
A3	By KA	Drw No: A		
Sheet No: 1 (1)	Checked	Ref: Cubo N		
	Ctrl	Code: NGRP608030		