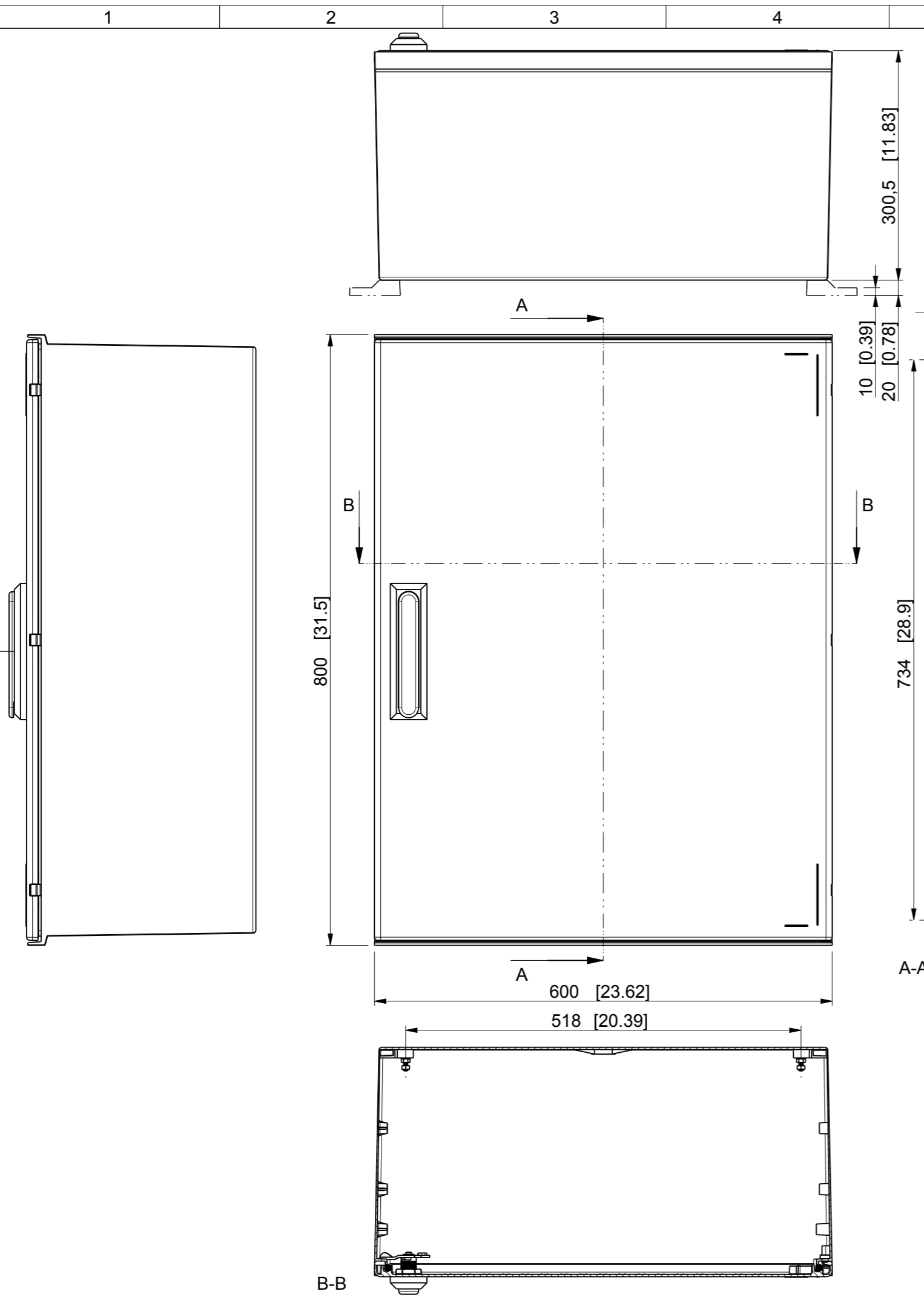
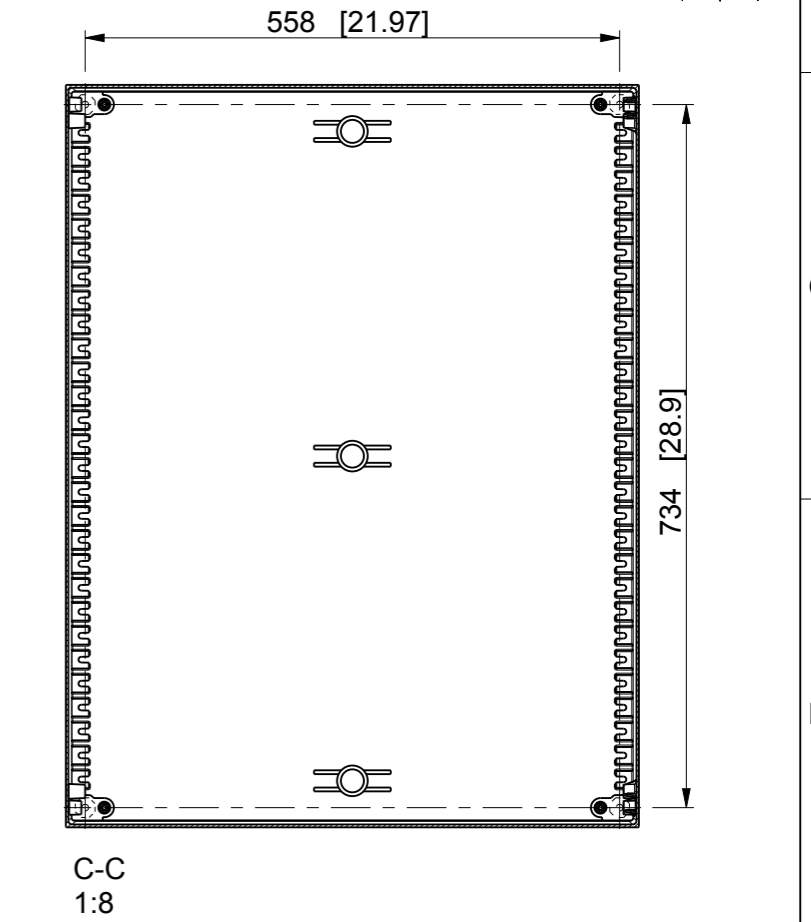
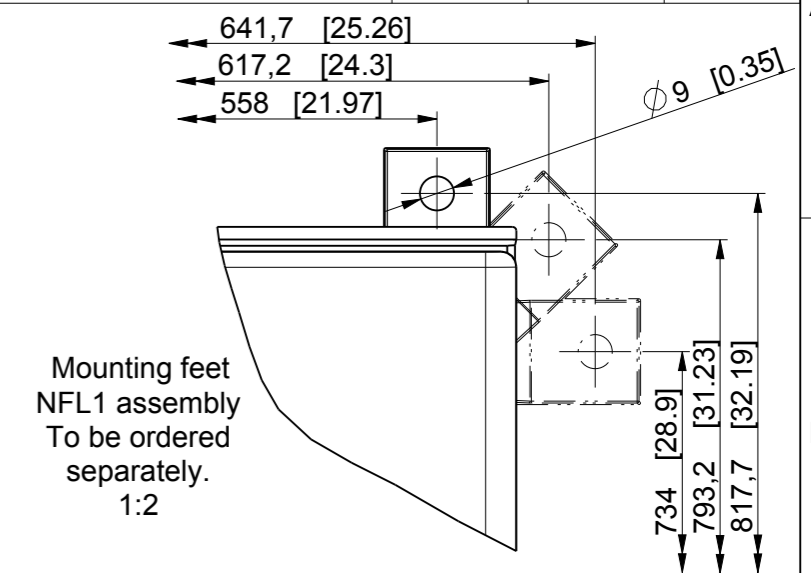


Model: NGRP608030P3SH_NFL1.dwg
 Drawing: NGRP608030P3SH_NFL1.dwg
 Tolerance ISO 2768-m
 >0,5 =3 ±0,1
 >6 =6 ±0,1
 >6 =30 ±0,2
 >30 =120 ±0,3
 >120 =400 ±0,5
 >400 =1000 ±0,8



| ID | Description | Date | By | Appr. |
|----|-------------|------|----|-------|
| A | | | | |



Dimensions in mm [inches]

| | | | | |
|---|----------|---|------------|---|
| Supplier: | Tool No: | Volume | Weight [g] | 0 |
| Material: Glass reinforced polyester | | Ensto Mat: | | |
| ENSTO Ensto Finland Oy Ensto Electrification | | NGRP608030P3SH Replaces: Replaced: Drw No: A Ref: Cubo N Code: NGRP608030P3SH | | |
| Scale | Date | 29.11.2016 | | |
| 1:6 | By | KA | | |
| A3 | Checked | | | |
| Sheet No: 1 (1) | Ctrl | | | |