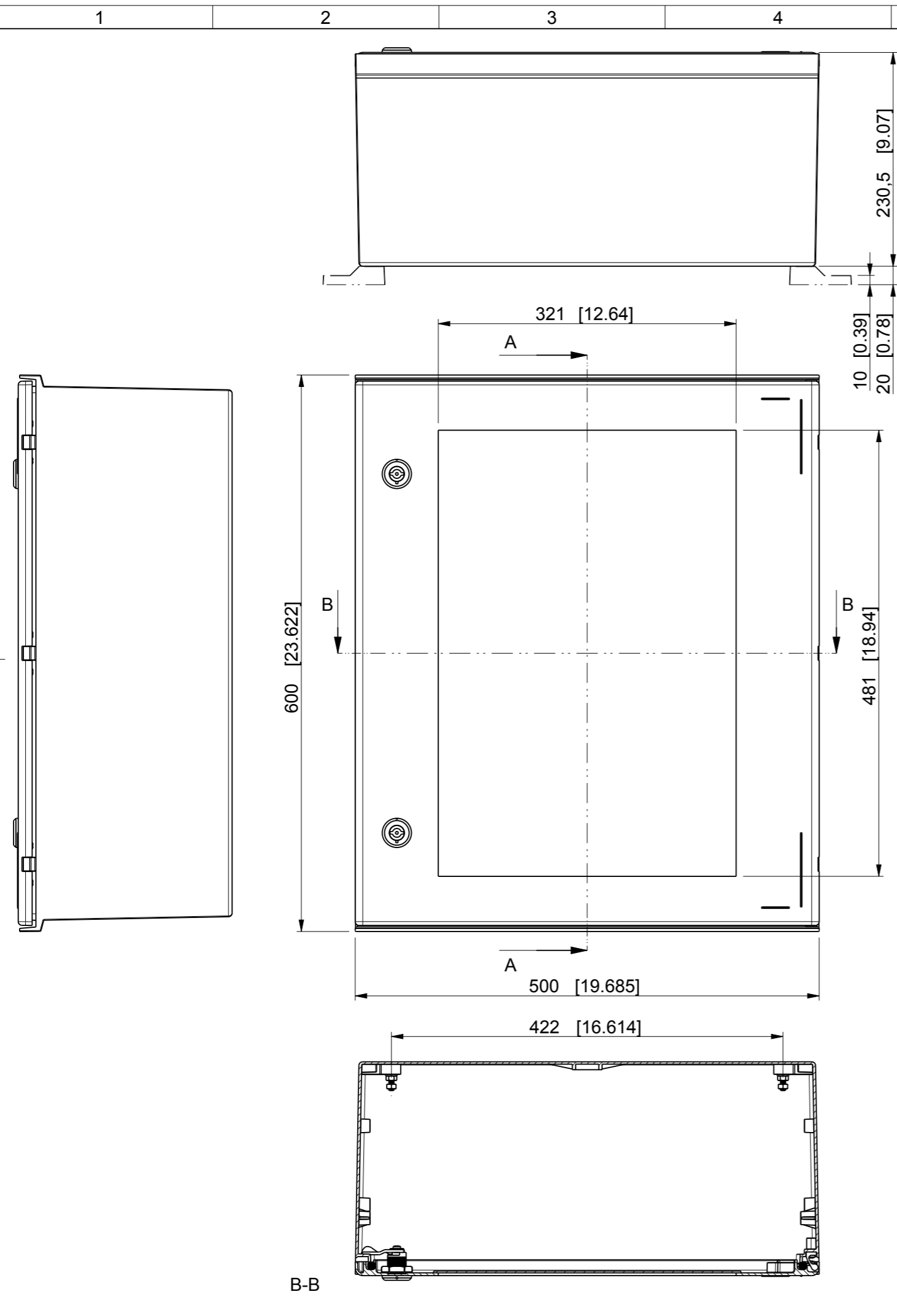
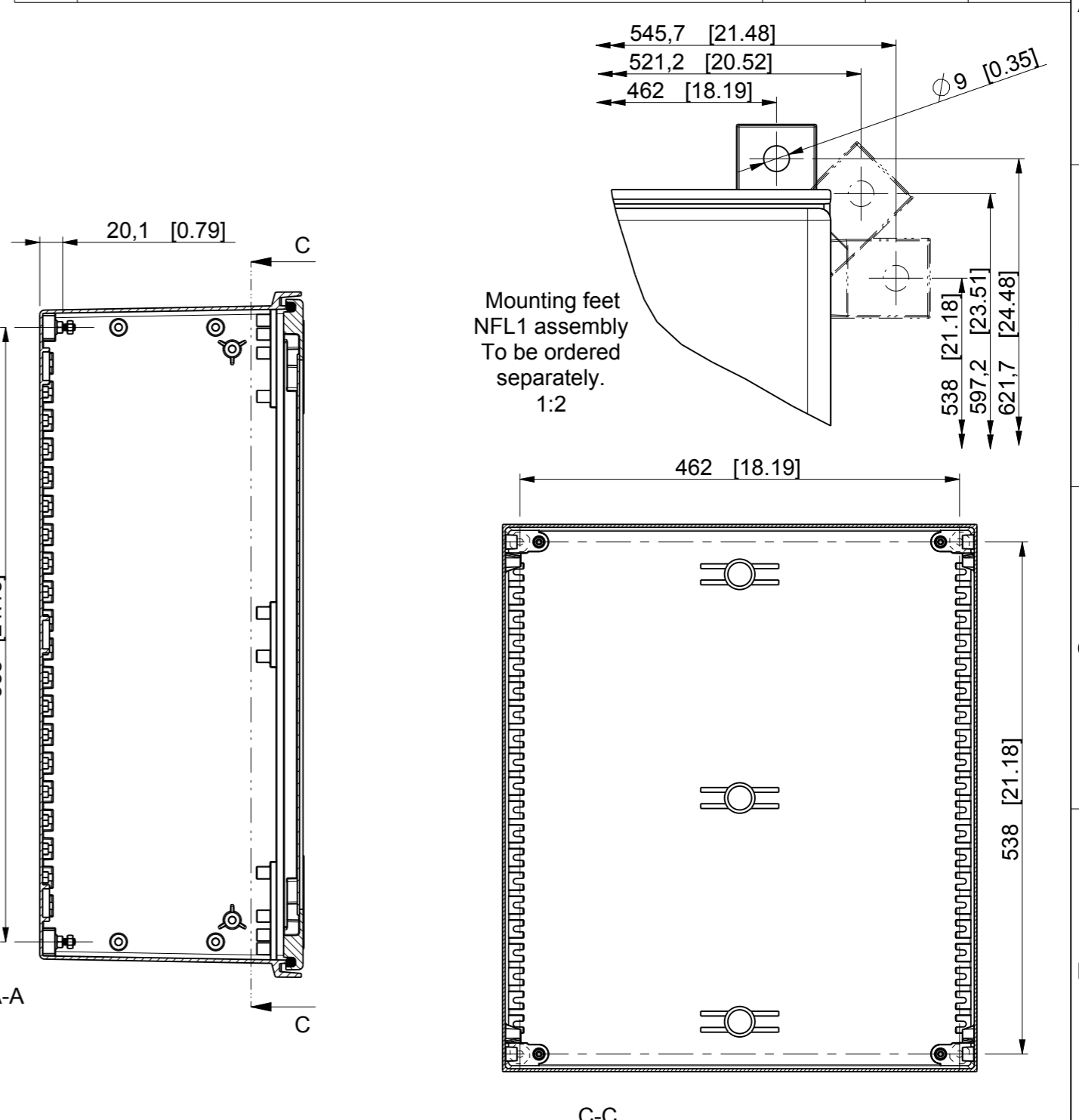


Model: NGRW506023\_NFL1.dwg  
 Drawing: NGRW506023\_NFL1.dwg  
 Tolerance ISO 2768-m  
 >0,5 =3 ±0,1  
 >6 =6 ±0,1  
 >30 =120 ±0,3  
 >120 =400 ±0,5  
 >400 =1000 ±0,8



ID	Description	Date	By	Appr.
A				



Supplier: -	Tool No: -	Volume: -	Weight [g]: 0
Material: Glass reinforced polyester		Ensto Mat:	
 <b>ENSTO</b> Ensto Finland Oy Ensto Electrification		NGRW506023 Replaces: Replaced: Drw No: A Ref: Cubo N Code: NGRW506023	
Scale: 1:5	Date: 25.11.2016		
A3	By: KA		
Sheet No: 1 (1)	Checked:		
	Ctrl:		