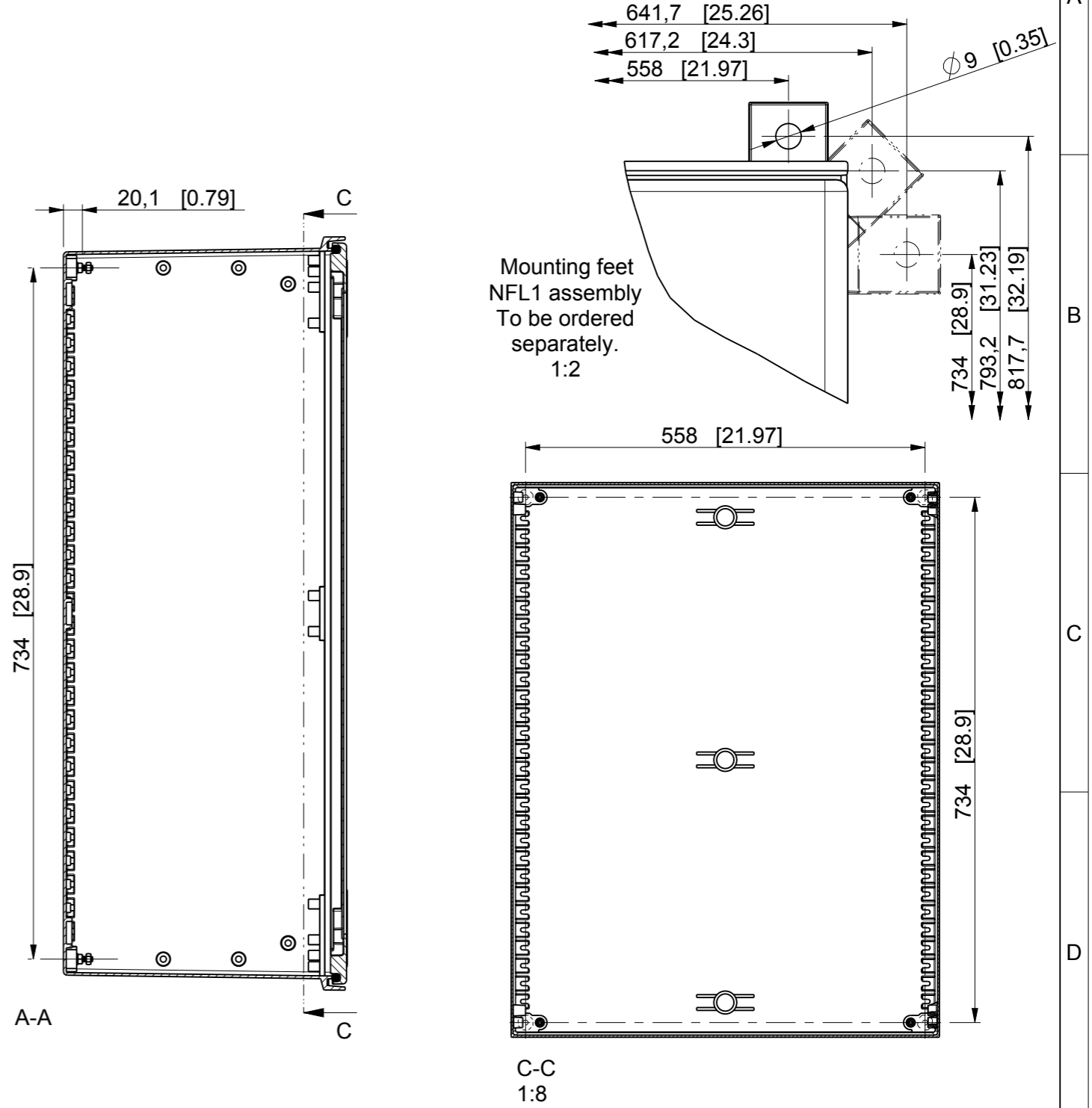


ID	Description	Date	By	Appr.
A				



Mounting feet
NFL1 assembly
To be ordered
separately.
1:2

Dimensions in mm [inches]

Tolerance
ISO 2768-m

>0,5 =3 ±0,1	>6 =30 ±0,1	>30 =120 ±0,3	>120 =400 ±0,5	>400 =1000 ±0,8
-----------------	----------------	------------------	-------------------	--------------------

Model
Drawing
NGRW608030_NFL1.dwg

Supplier:	Tool No:	Volume	Weight [g]	0
Material: Glass reinforced polyester		Ensto Mat:		
 ENSTO Ensto Finland Oy Ensto Electrification		NGRW608030		
Scale	Date	Replaces:		
1:6	25.11.2016	Replaced:		
A3	By	Drw No:		
	KA	A		
	Checked	Ref:		
		Cubo N		
Sheet No:	Ctrl	Code:		
1 (1)		NGRW608030		