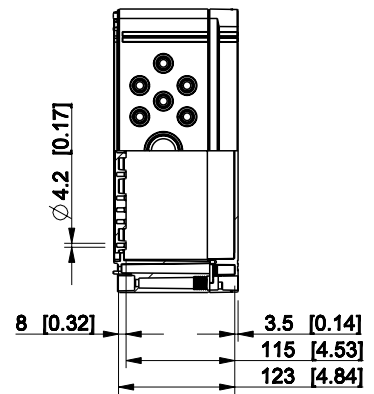
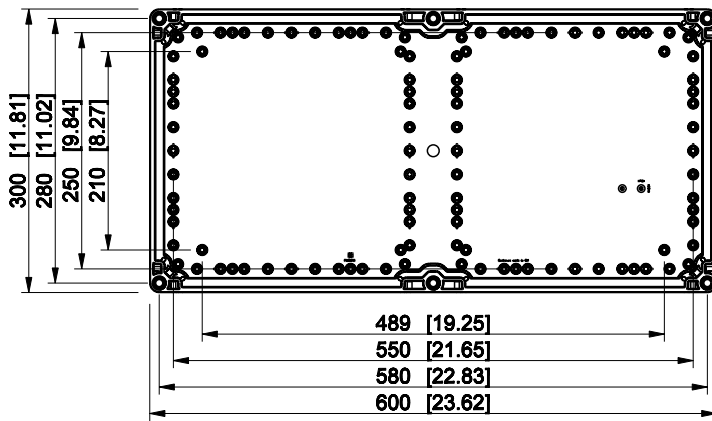
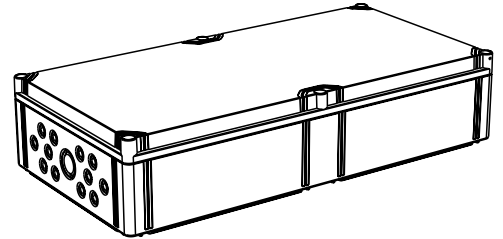
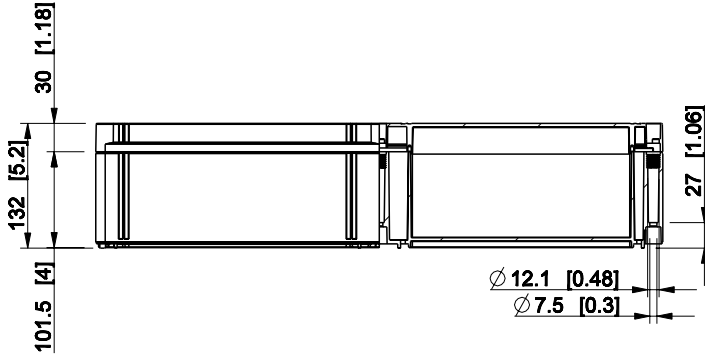


| ID | Description | Date | By | Appr. |
|----|-------------|------|----|-------|
| B | | | | |



Dimensions in mm [inches]

| | |
|------------------------------------------------|-----------------|
| Material: Polycarbonate, fiberglass-reinforced | Color: RAL 7035 |
|------------------------------------------------|-----------------|

| | | | |
|-----------|------------|-------------------|---------|
| Supplier: | Tool No: - | Weight [kg]: 3.07 | Volume: |
|-----------|------------|-------------------|---------|



OPCM306013G

| | | |
|-------|---------|----------|
| Scale | Date | 19.04.10 |
| 1:8 | By | PKos |
| - | Checked | |
| - | Ctrl | |

| |
|-------------------|
| Replaces: |
| Replaced: |
| Drw No: - B |
| Ref: Cubo O |
| Code: OPCM306013G |
| Sheet No: |

model OPCM306013G PART
drawing CUBO_O_1B.DRAWING