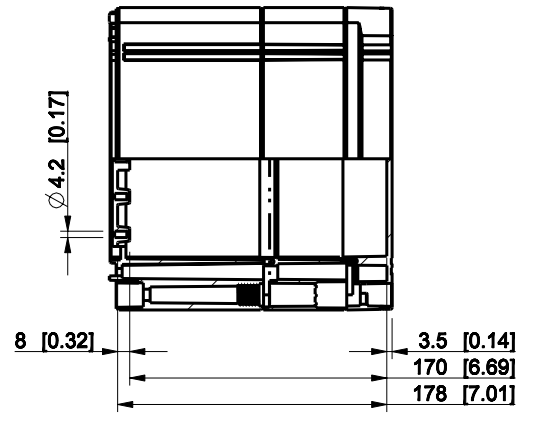
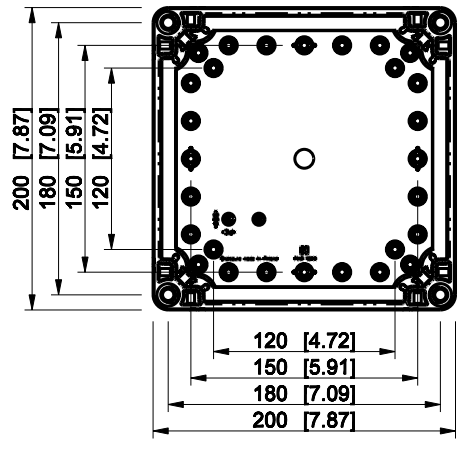
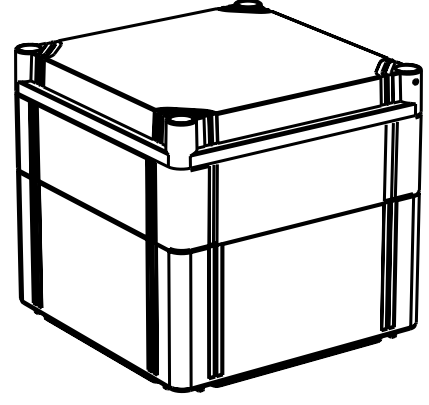
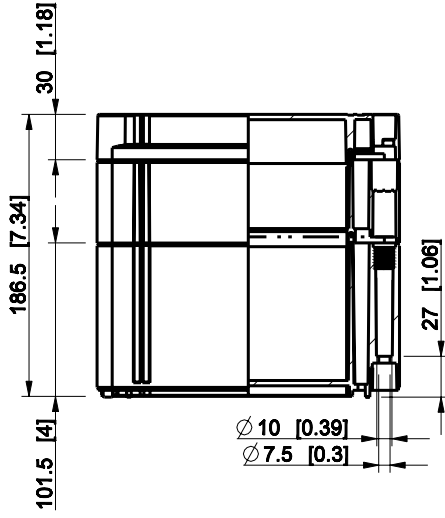


ID	Description	Date	By	Appr.
A				



Dimensions in mm [inches]

Material: Polycarbonate, fiberglass-reinforced	Color: RAL 7035
--	-----------------

Supplier:	Tool No:	Weight [kg]: 1.33	Volume:
-----------	----------	-------------------	---------



OPCP202018G

Scale	Date	18.12.08
1:5	By	PKos
-	Checked	
-	Ctrl	

Replaces:	
Replaced:	
Drw No:	A
Ref:	Cubo O
Code:	OPCP202018G
Sheet No:	

model OPCP202018G PART  
drawing CUBO\_O.drawing