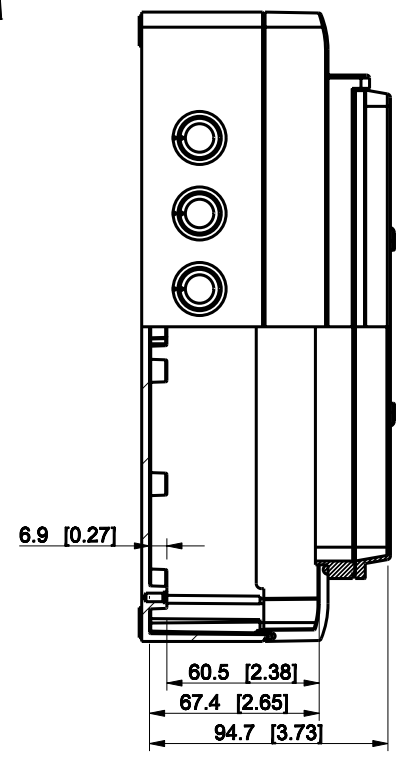
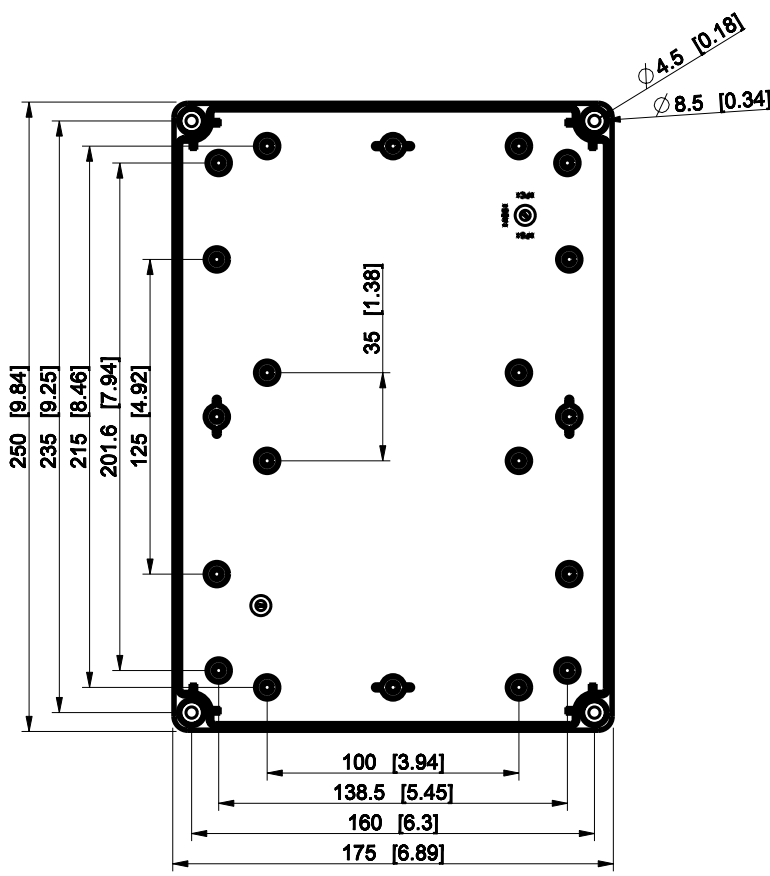
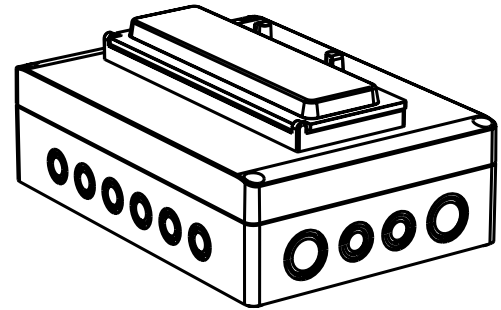
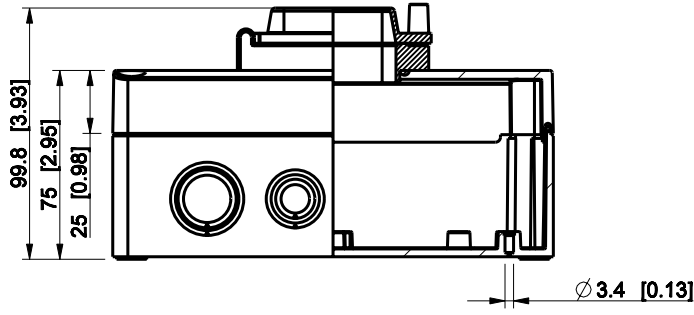


ID	Description	Date	By	Appr.
A				



Dimensions in mm [inches]

model RPCK182508G_10M PART drawing CUBOR_1_2_DRAWING	Material: Polycarbonate, fiberglass-reinforced		Color: RAL 7035	
	Supplier: ENSTO		Tool No:	
	Scale: 1:3		Weight [kg]: 0.71	
	Date: 13.03.09		Volume:	
By: PKOs		RPCK182508G_10M		Replaces:
Checked:				Replaced:
Ctrl:		Drw No: A		Ref: Cubo R
				Code: RPCK182508G_10M
				Sheet No: