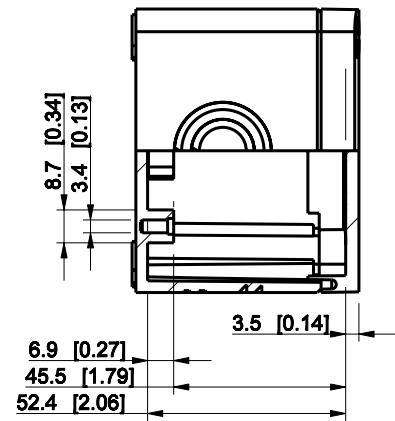
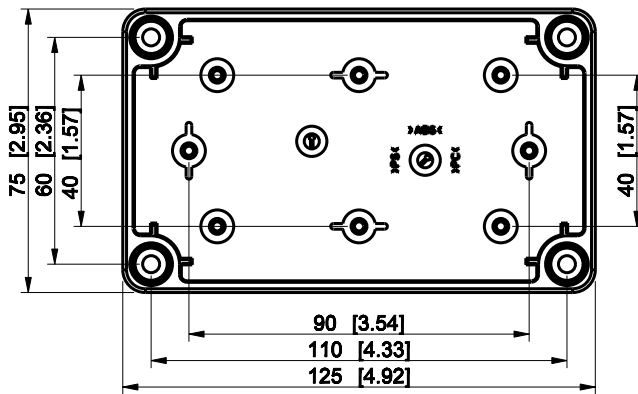
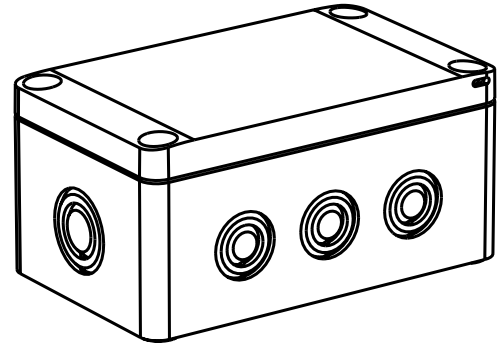
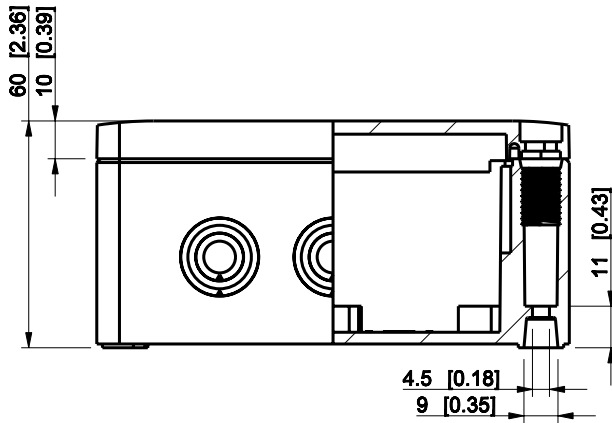


ID	Description	Date	By	Appr.
A				



Dimensions in mm [inches]

Material: Polycarbonate, fiberglass-reinforced	Color: RAL 7035
------------------------------------------------	-----------------

Supplier:	Tool No:	Weight [kg]: 0.16	Volume:
-----------	----------	-------------------	---------



SPCM081306T

Scale	Date	04.12.08
1:2	By	PKos
-	Checked	
-	Ctrl	

Replaces:
Replaced:
Drw No: - A
Ref: Cubo S
Code: SPCM081306T
Sheet No:

model SPCM081306T PART  
drawing CUBOS\_2\_DRAWING