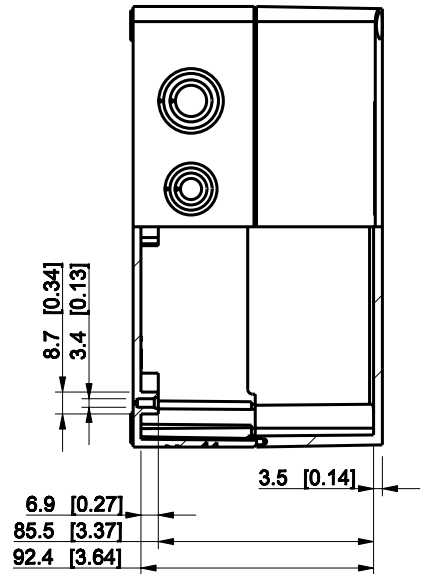
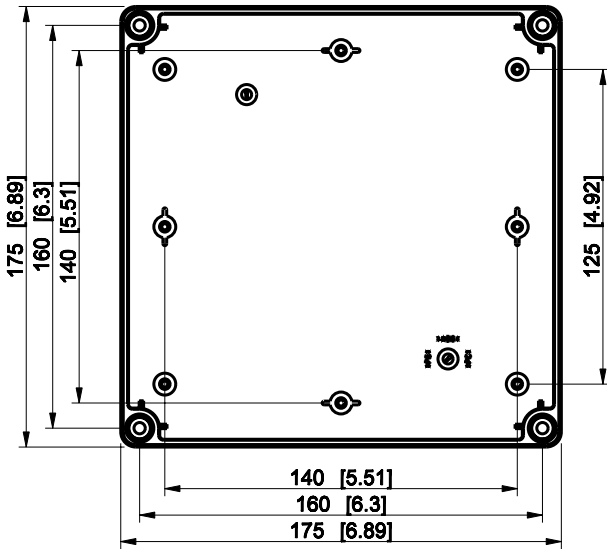
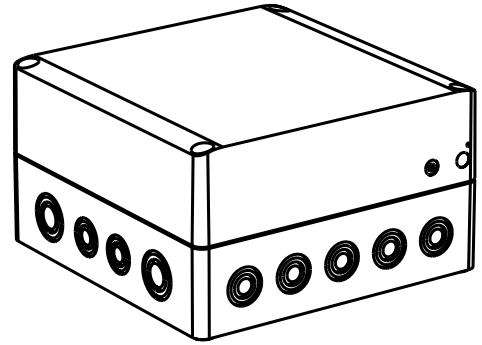
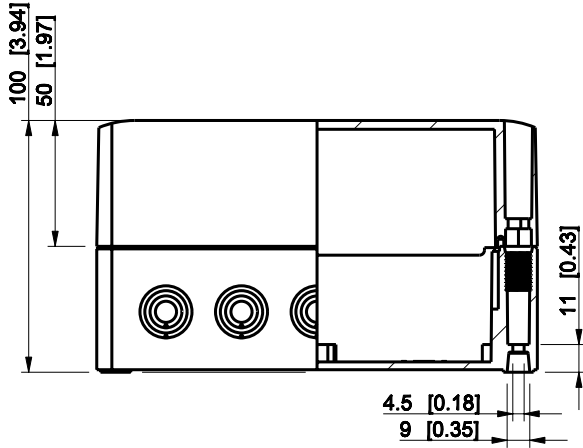



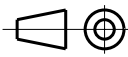
ID	Description	Date	By	Appr.
A				



Dimensions in mm [inches]

Material: Polycarbonate, fiberglass-reinforced	Color: RAL 7035
--	-----------------

Supplier:	Tool No:	Weight [kg]: 0.52	Volume:
-----------	----------	-------------------	---------

model SPCM181810T PART drawing CUBOS DRAWING	 ENSTO CONTROL OY			<h1>SPCM181810T</h1>	Replaces:
	Scale: 1:3 Date: 08.12.08				Replaced:
	Checked: - By: PKos				Drw No: - A
	Ctrl: -				Ref: Cubo S
					Code: SPCM181810T
					Sheet No: