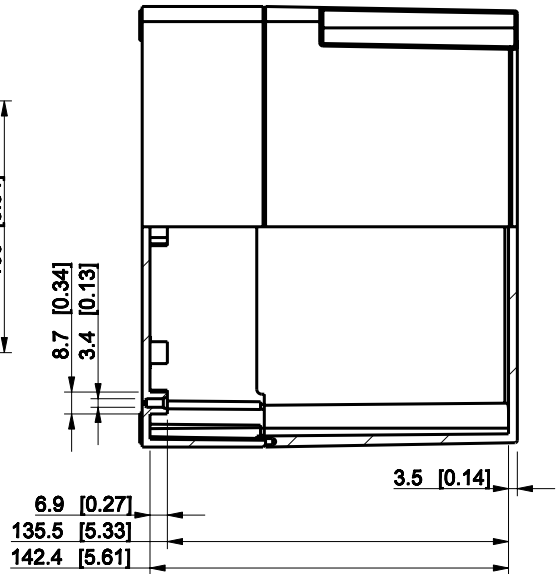
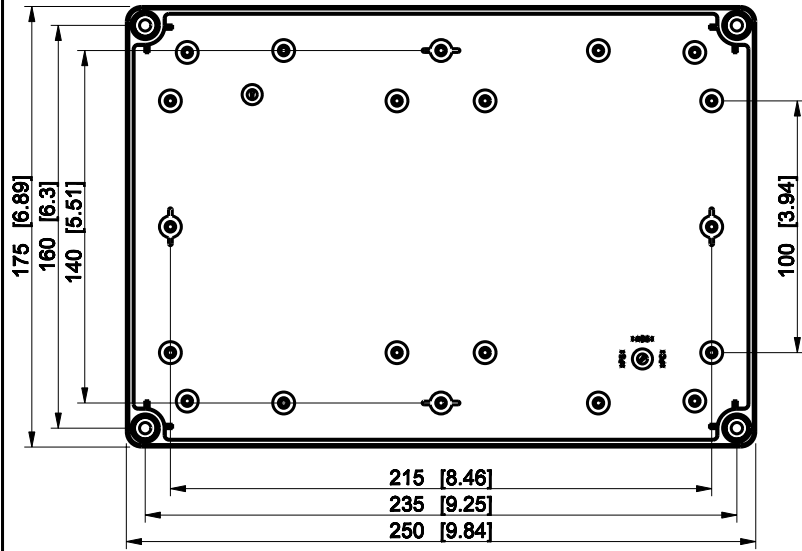
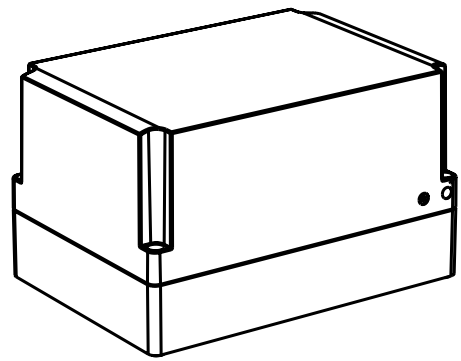
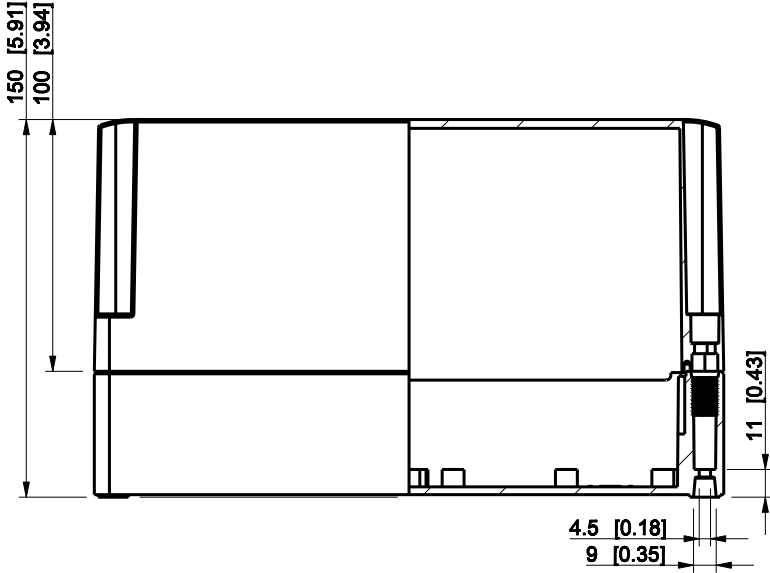


ID	Description	Date	By	Appr.
A				



Dimensions in mm [inches]

Material: Polycarbonate, fiberglass-reinforced      Color: RAL 7035

Supplier:      Tool No:      Weight [kg]: 0.85      Volume:



**SPCP182515G**

Scale	Date	08.12.08
1:3	By	PKos
-	Checked	
-	Ctrl	

Replaces:
Replaced:
Drw No: - A
Ref: Cubo S
Code: SPCP182515G
Sheet No:

model SPCP182515G PART  
 drawing CUBOS DRAWING