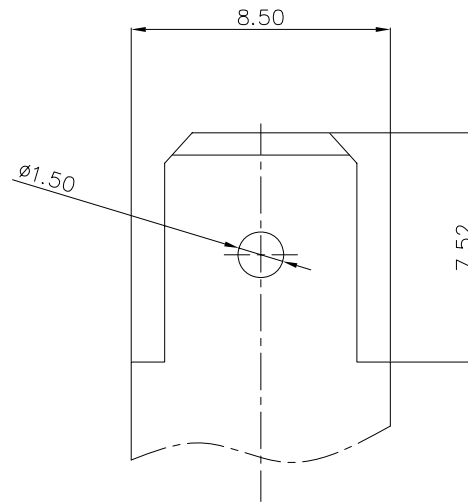
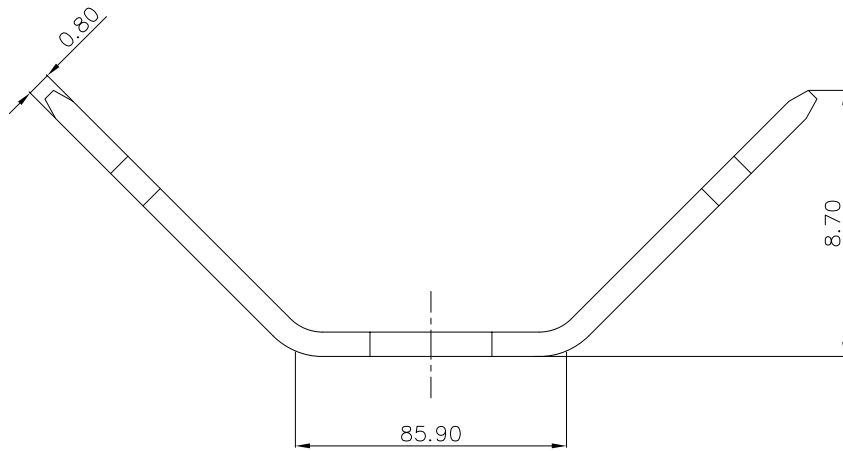
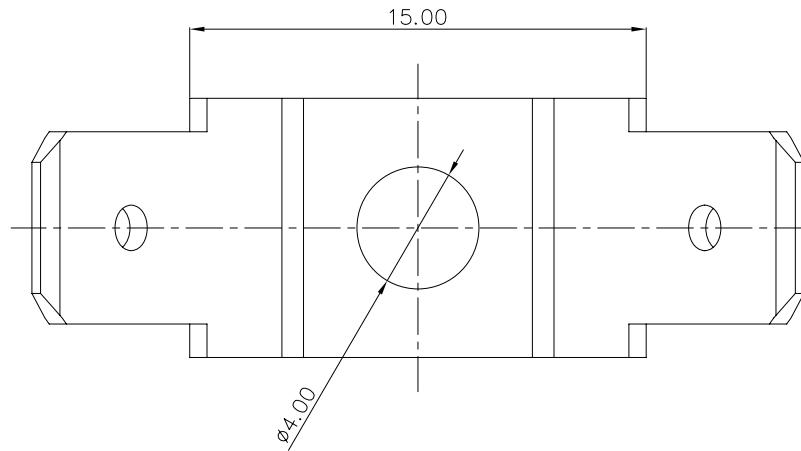


REVISION RECORD

REV	ECN	DESCRIPTION	DRFT	DATE



NOTES:

1.Dimension shall be interpreted per ASME Y14.5-2009

2.Undimensioned Tolerances:

Pitch range in mm	Nominal dimension range in mm						0.1/10	
	Over 6 TO 6	Over 10 TO 10	Over 24 TO 24	Over 30 TO 30	Over 60 TO 60	Over 100 TO 100		
±0.15	±0.20	±0.30	±0.30	±0.50	±0.70	±1.00	±1.30	±2*

K2 - 00A (H)
 (Series No.) - 00A-(Standard) (RoHS)

DETACHED LISTS	PART NO.: /	宁波高松电子有限公司 NINGBO DEGSON ELECTRICAL CO., LTD		
	APPD: /	NAME: K2-00A(H)		
	CHKD: /	TITLE: CUSTOMER DRAWING		
	DRFT: /	DRAWING NO.: /		REV
THIRD ANGLE PROJECTION		DO NOT SCALE DRAWING MM (INCH)	SHEET	1/1
		SCALE	1:1	