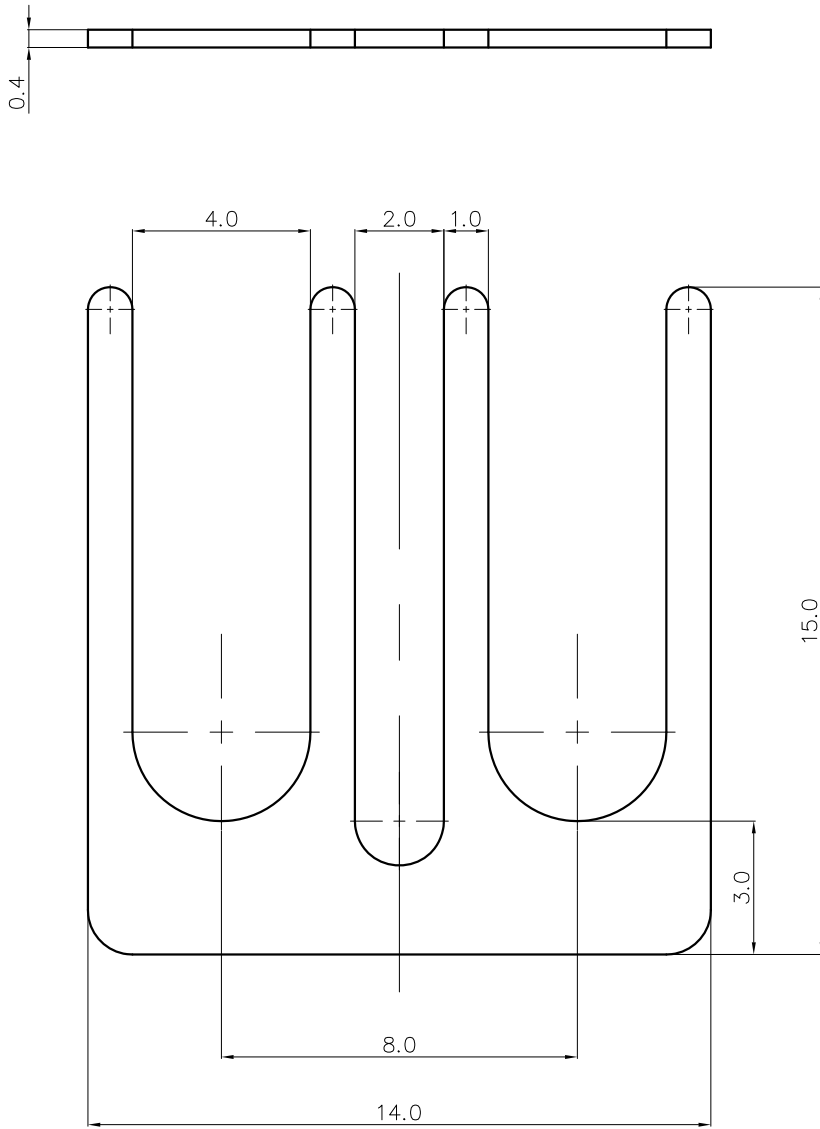


REVISION RECORD


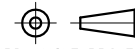
REV	ECN	DESCRIPTION	DRFT	DATE
-----	-----	-------------	------	------



- NOTES:
 1.Dimension shall be interpreted per ASME Y14.5-2009
 2.Undimensioned tolerances:

Pitch range in mm			Nominal dimension range in mm					
TO	Over	Over	TO	Over	Over	Over	Over	
6	6 TO 10	10 TO 24	30	30 TO 60	60 TO 100	100 TO 150	150	0.1/10
±0.15	±0.20	±0.30	±0.30	±0.50	±0.70	±1.00	±1.30	±2'

- 3.RoHS Compliance
 K22-00A (H)
 (Series No.) (RoHS) (Standard)

DETACHED LISTS	PART NO.:	/				 宁波高松电子有限公司 NINGBO DEGSON ELECTRICAL CO., LTD			
	APPD:	/				NAME: K22-00A(H)			
	CHKD:	/				TITLE: CUSTOMER DRAWING			
	DRFT:	/				REV		DO	
 THIRD ANGLE PROJECTION		DRAWING NO.:		/		SHEET		1/1	
		MM (INCH)		DO NOT SCALE DRAWING		SCALE		1:1	