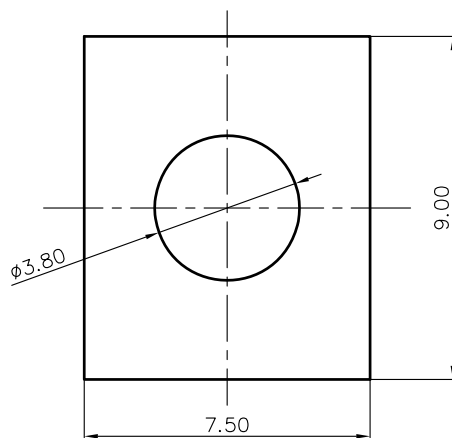
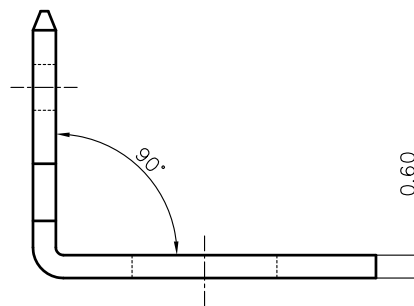
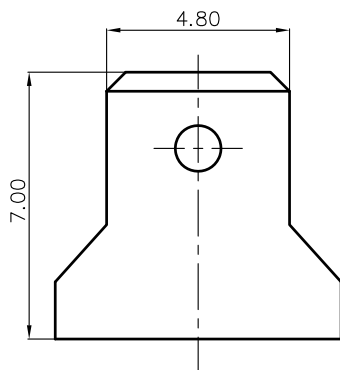


REVISION RECORD

REV	ECN	DESCRIPTION	DRFT	DATE
-----	-----	-------------	------	------



NOTES:

- 1.Dimension shall be interpreted per ASME Y14.5-2009
- 2.Undimensioned Tolerances:

Pitch range in mm		Nominal dimension range in mm					
TO	Over TO	Over TO	Over TO	Over TO	Over TO	Over TO	
6	6 TO 10	10 TO 24	30 TO 60	60 TO 100	100 TO 150	150	0.1/10
	± 0.15	± 0.20	± 0.30	± 0.50	± 0.70	± 1.00	± 1.30
							$\pm 2^\circ$

K4 - 00A (H)
 (Series No.) (RoHS)
 00A-(Standard)

DETACHED LISTS	PART NO.:	宁波高松电子有限公司 NINGBO DEGSON ELECTRICAL CO., LTD			
	APPD:	NAME: K4-00A(H)			
	CHKD:	TITLE: CUSTOMER DRAWING			
	DRFT:	DRAWING NO.:		REV	DO
	THIRD ANGLE PROJECTION		MM (INCH)	DO NOT SCALE DRAWING	SCALE: 1:1