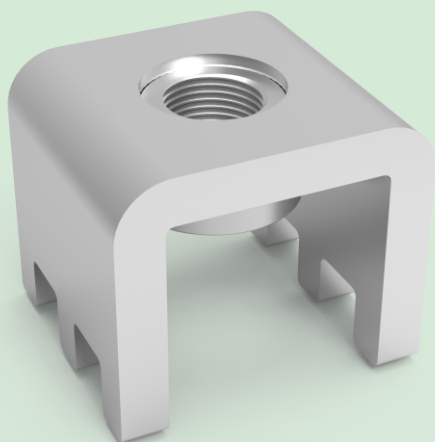
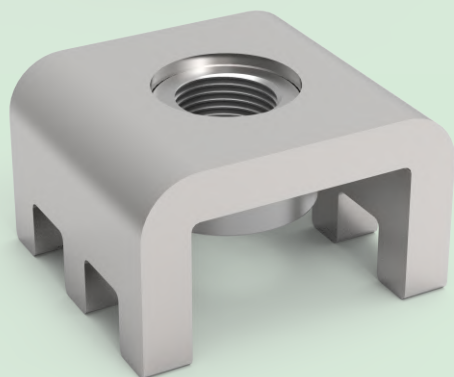
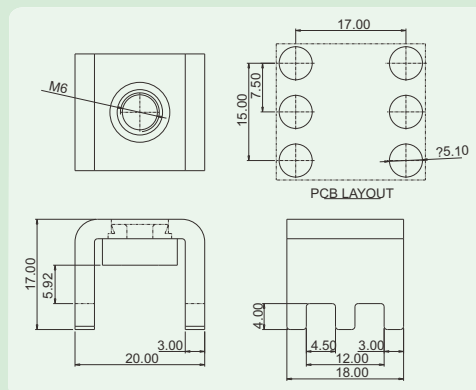


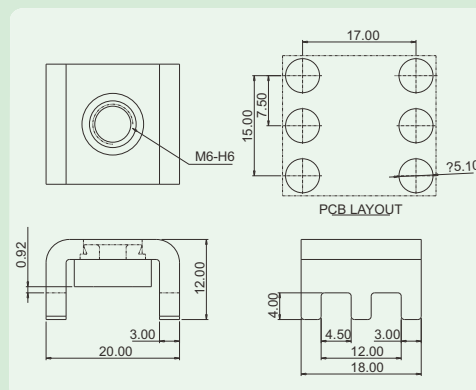
### K41-00A/K41-10A



- 结构简单, 电流大, 成本低;
- 接线方便, OT/DT头配套接线 牢固稳定性好;
- 满足电流200A。
- Sim structure,high current,low cost;
- Easy connection,mating with OT/DT terminal,excellent stabiliy;
- Meet the requirement for 200A current.



- 结构简单, 电流大, 成本低;
- 接线方便, OT/DT头配套接线 牢固稳定性好;
- 满足电流200A。
- Sim structure,high current,low cost;
- Easy connection,mating with OT/DT terminal,excellent stabiliy;
- Meet the requirement for 200A current .



### 技术参数 Technical Data

APPROVAL: CE

型号 Model	线径 Wire range	线数 Poles	IEC60947技术参数(IEC60947 datasheet)				UL1059技术参数(UL1059 datasheet)			
			电压(V)	Rated voltage	电流(A)	Rated current	电压(V)	Rated voltage	电流(A)	Rated current
K41	-	-	-	-	-	-	-	-	200	

### 应用行业 Application

工业自动化、机械、电力电气、电梯等行业。

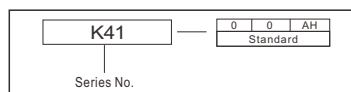
Industrial automation, machinery, electric power, elevator etc.



### 型号对照 Cross Reference

DEGSON	同行1/ Competitor1	同行2/ Competitor2
K41-00A	-	-

### 产品订货 How to order



### 产品包装方式 Packing

Product model	Pcs./Pkt.
K41-00A	50
K41-10A	50