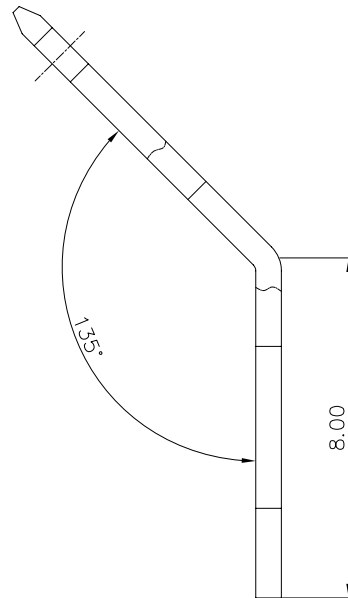
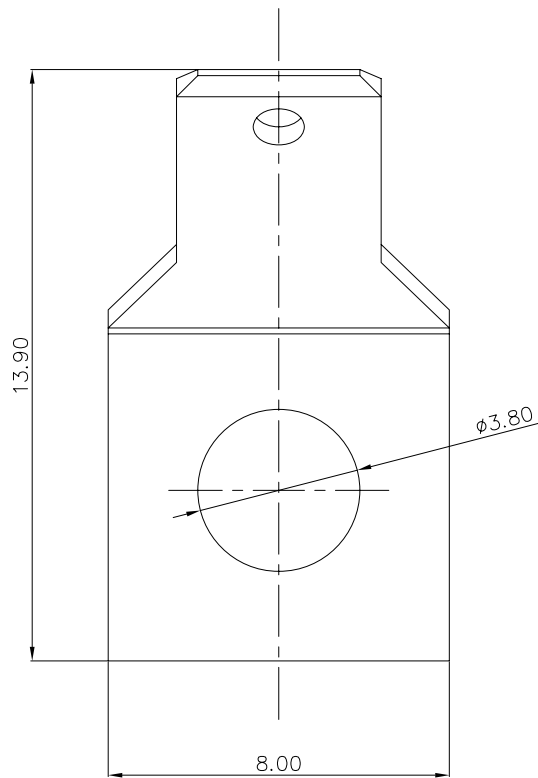


REVISION RECORD				
REV	ECN	DESCRIPTION	DRFT	DATE



NOTES:

1.Dimension shall be interpreted per ASME Y14.5-2009

2.Undimensioned Tolerances:

Pitch range in mm		Nominal dimension range in mm						-	∩	∇
TO	Over	Over	TO	Over	Over	Over				
6	6	10	30	30	60	100	150		0.1/10	
6	TO 10	TO 24	TO 30	TO 60	TO 100	TO 150			<	
±0.15	±0.20	±0.30	±0.30	±0.50	±0.70	±1.00	±1.30		±2'	

K5 - 00A (H)
 (Series No.) (RoHS)
 00A-(Standard)

DETACHED LISTS	PART NO.: /	宁波高松电子有限公司 NINGBO DEGSON ELECTRICAL CO., LTD			
	APPD: /	NAME: K5-00A(H)			
	CHKD: /	TITLE: CUSTOMER DRAWING			
	DRFT: /	DRAWING NO.: /		REV	DO
THIRD ANGLE PROJECTION		MM (INCH)		SHEET	1/1
		DO NOT SCALE DRAWING		SCALE	1:1