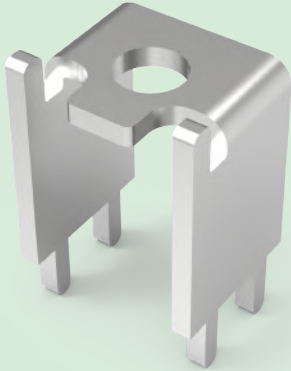
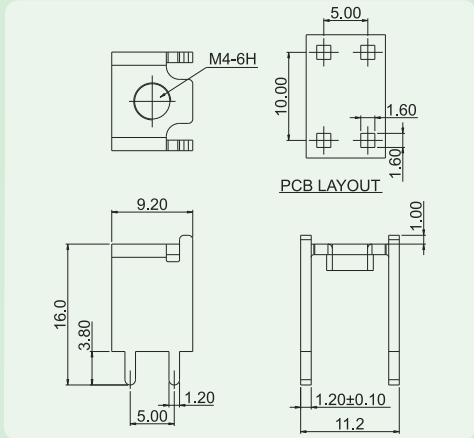


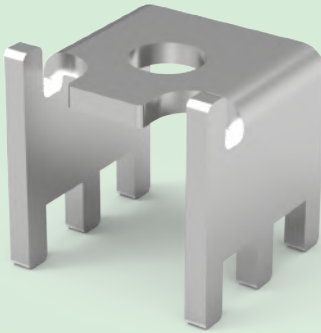
### K50



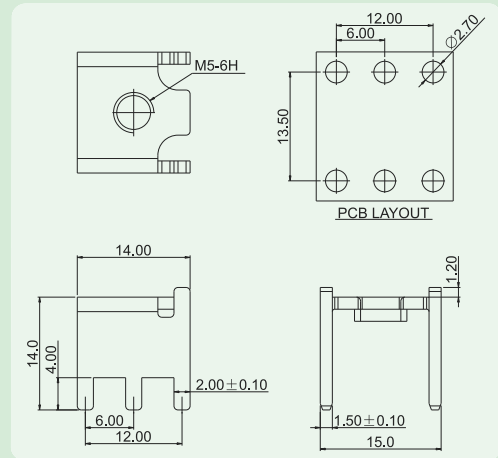
- 结构简单,电流大,成本低。
- 接线方便,OT/DT头配套接线牢固稳定性好。
- 满足电流50A。
- Sim structure,high current,low cost  
Easy connection,mating with
- OT/DT terminal,excellent stability  
Meet the requirement for 50A current.



### K51



- 结构简单,电流大,成本低。
- 接线方便,OT/DT头配套接线牢固稳定性好。
- 满足电流50A。
- Sim structure,high current,low cost  
Easy connection,mating with
- OT/DT terminal,excellent stability  
Meet the requirement for 50A current.



### 技术参数 Technical Data

APPROVAL: CE

型号 Model	线径 Wire range	线数 Poles	IEC60947技术参数(IEC60947datasheet)		UL1059技术参数(UL1059 datasheet)	
			电压(V) Rated voltage	电流(A) Rated current	电压(V) Rated voltage	电流(A) Rated current
K50	—	01P	—	—	—	50
K51	—	01P	—	—	—	85

### 应用行业 Application

工业自动化、新能源、电梯、电力电气等行业。  
Industrial automation,new energy,elevator,  
electric power etc.



### 产品包装方式 Packing

Product model	Pcs./Pkt.
K50	100
K51	100

### 型号对照 Cross Reference

DEGSON	同行1/ Competitor1	同行2/ Competitor2
K50	—	—
K51	—	—

### 产品订货 How to order

