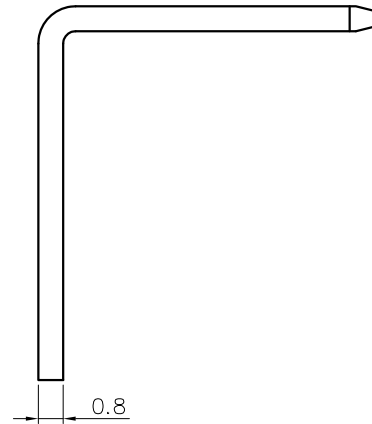
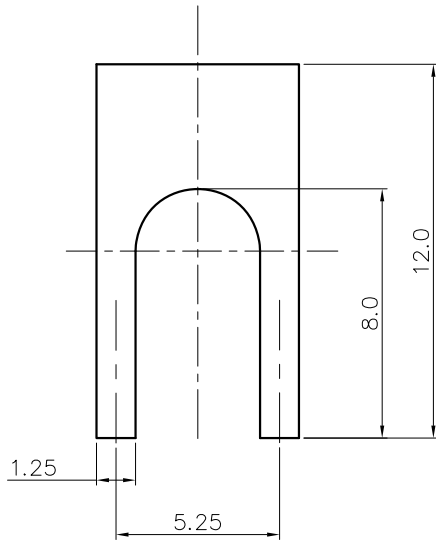


REVISION RECORD

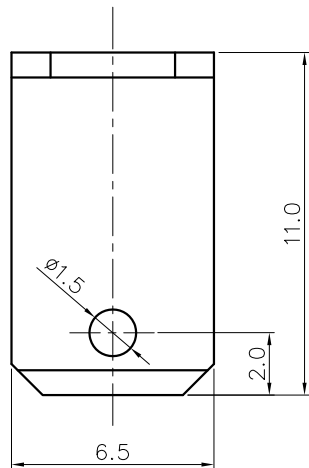
REV	ECN	DESCRIPTION	DRFT	DATE



NOTES:
 1.Dimension shall be interpreted per ASME Y14.5-2009
 2.Undimensioned tolerances:

Pitch range in mm		Nominal dimension range in mm					—	∩	∇
TO	Over	Over	TO	Over	Over	Over	0.1/10		
6	6 TO 10	10 TO 24	30	30 TO 60	60 TO 100	100 TO 150			
±0.15	±0.20	±0.30	±0.30	±0.50	±0.70	±1.00	±1.30	±2'	

3.RoHS Compliance
 K8-00A (H)
 (Series No.) — (RoHS) — 00A—(Standard)



DETACHED LISTS	PART NO.:	/	宁波高松电子有限公司 NINGBO DEGSON ELECTRICAL CO., LTD		
	APPD:		NAME: K8-00A(H)		
	CHKD:		TITLE: CUSTOMER DRAWING	REV	DO
	DRFT:		DRAWING NO.:	SHEET	1/1
	THIRD ANGLE PROJECTION		DO NOT SCALE DRAWING	SCALE	1:1