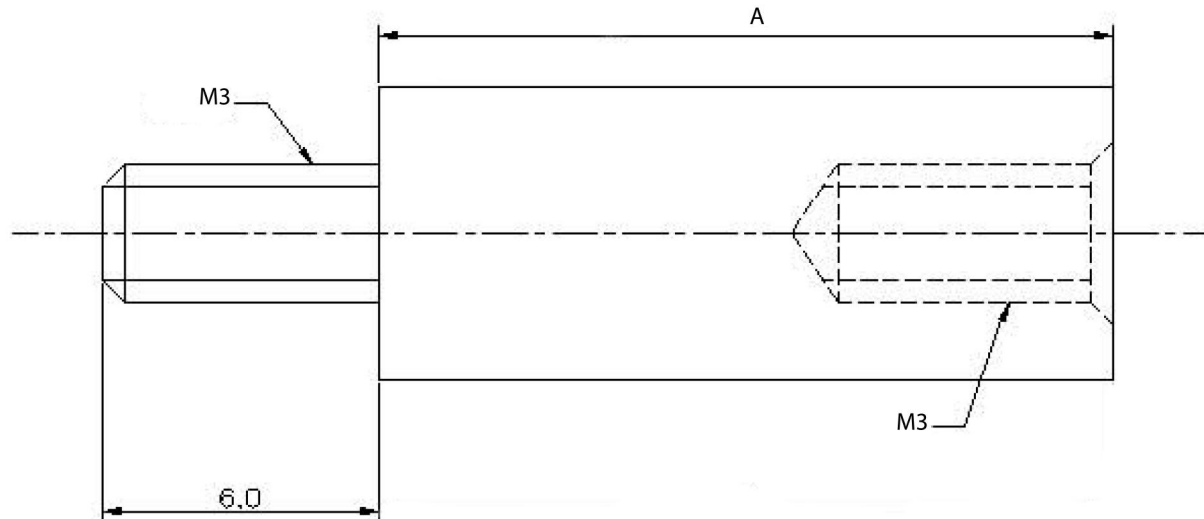
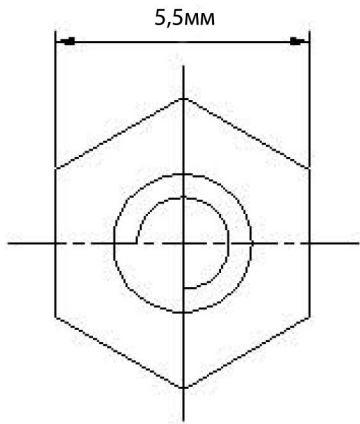


REV.	DESCRIPTION	DRAWN	CHECKED	APPROVED
A	NEW RELEASE	LJC 06/18/05'		



NOTES:
 1.Materials: Copper alloy.
 2:Plating: Nickel plating.
 3:Part number code:

PCHSN-XX
 A: (06,10,15, 20, 25 mm)
 Серия

GENERAL TOLERANCE		ANGLE TOLERANCE		PROJECTION		TITLE	
X.	±0.30	X.	±2°	UNITS	mm	Screws	
.X	±0.20	.X	±1°	SHEET SIZE	A4	SERIES	Hardwares SERIES
.XX	±0.15	.XX	±0.5°	晨翔电子有限公司 CONFLY CONNFLY ELECTRONIC CO. LTD			
DRAWING TYPE		CUSTOMER DRAWING					
SCALE	1:1	SHEET	1 OF 1				
DRAWING NO.		H-LXXX-XXXX-5-03-1N1W					